

PRODUCT TURNTABLE KIT V2

for HEADONE, DOLLYONE & PAN PRO

USER'S MANUAL

Before operating your edelkrone,
please watch the user's manual video from the link below

<http://edel.kr/ptkv2>

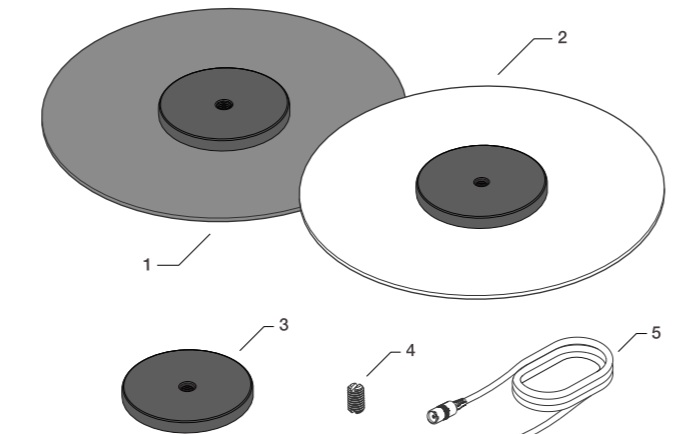


edelkrone
filmmaking solutions

TABLE OF CONTENTS

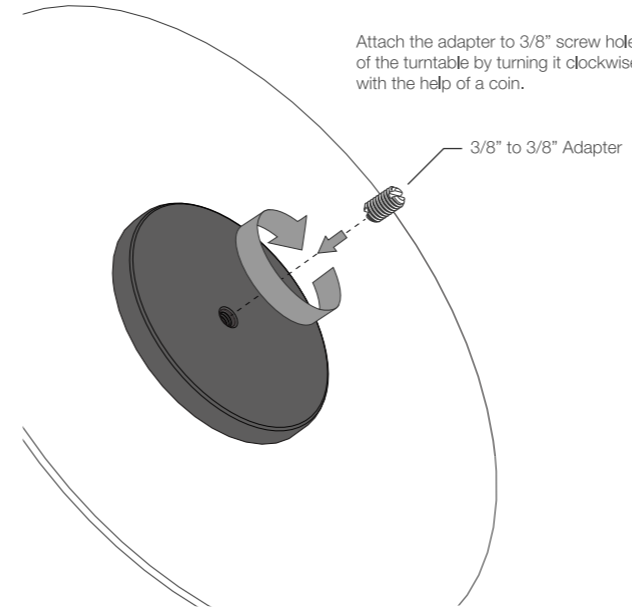
1. WHAT'S IN THE BOX & THE BASICS
2. PREPARING THE TURNTABLE FOR ASSEMBLE
3. ATTACHING THE TURNTABLE TO PAN PRO I
4. ATTACHING THE TURNTABLE TO PAN PRO II
5. ATTACHING THE TURNTABLE TO HEADONE I
6. ATTACHING THE TURNTABLE TO HEADONE II
7. ATTACHING THE TURNTABLE TO DOLLYONE
8. SHUTTER TRIGGER EXTENSION CABLE
9. PREPARING THE TURNTABLE
10. START USING

1. WHAT'S IN THE BOX & THE BASICS



1. Black Turntable
2. White Turntable
3. Pan PRO stabilizer disc
4. 3/8"-16 male to 3/8"-16 male adapter
5. Shutter trigger extension cable

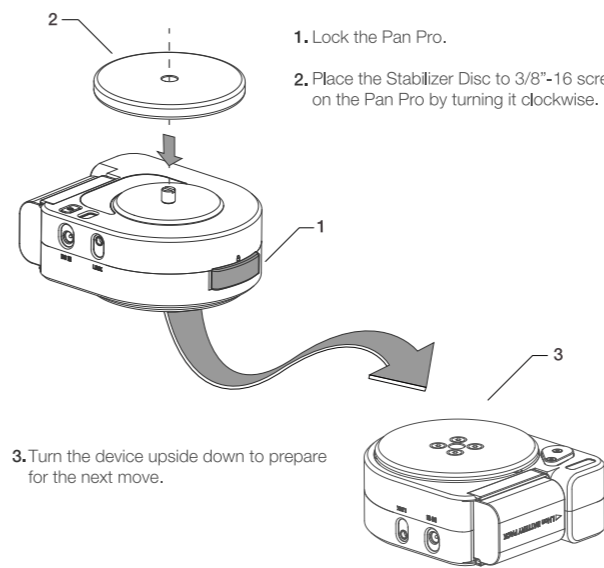
2. PREPARING THE TURNTABLE FOR ASSEMBLE



Attach the adapter to 3/8" screw hole of the turntable by turning it clockwise with the help of a coin.

3/8" to 3/8" Adapter

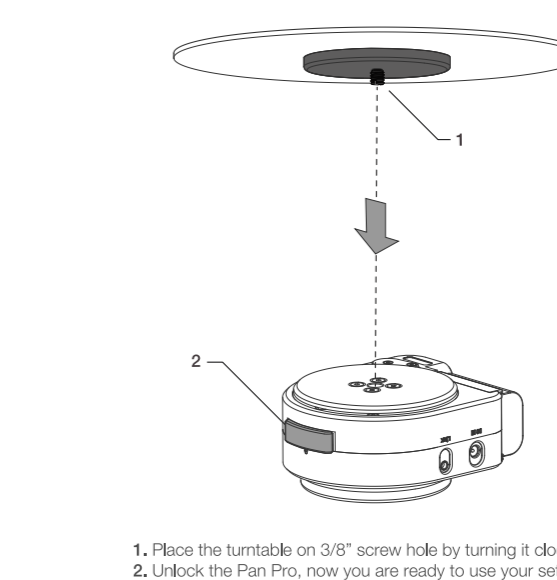
3. ATTACHING THE TURNTABLE TO PAN PRO I



1. Lock the Pan Pro.
2. Place the Stabilizer Disc to 3/8"-16 screw on the Pan Pro by turning it clockwise.

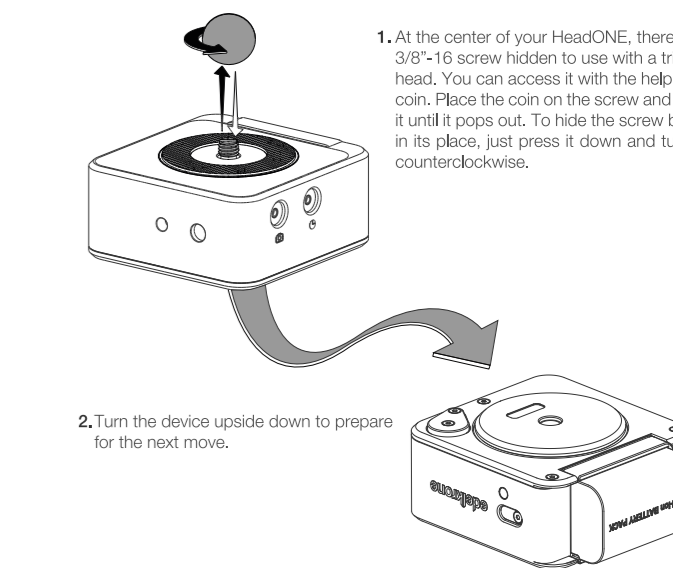
3. Turn the device upside down to prepare for the next move.

4. ATTACHING THE TURNTABLE TO PAN PRO II



1. Place the turntable on 3/8" screw hole by turning it clockwise.
2. Unlock the Pan Pro, now you are ready to use your setup.

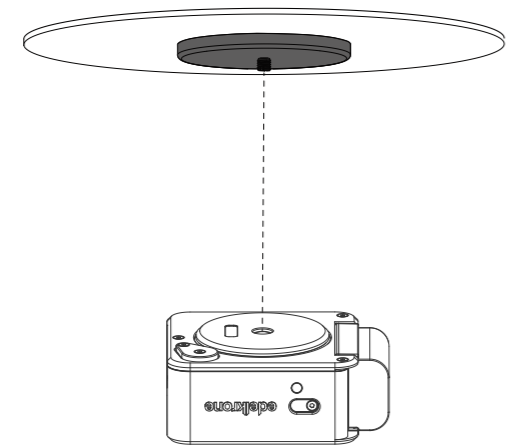
5. ATTACHING THE TURNTABLE TO HEADONE I



1. At the center of your HeadONE, there is a 3/8"-16 screw hidden to use with a tripod head. You can access it with the help of a coin. Place the coin on the screw and turn it until it pops out. To hide the screw back in its place, just press it down and turn it counterclockwise.

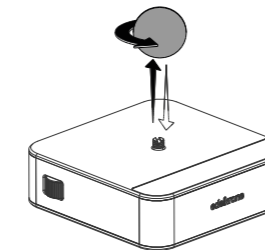
2. Turn the device upside down to prepare for the next move.

6. ATTACHING THE TURNTABLE TO HEADONE II



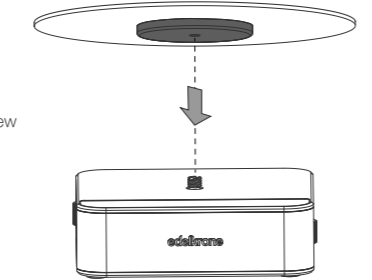
Place the turntable on 3/8" screw hole by turning it clockwise.

7. ATTACHING THE TURNTABLE TO DOLLYONE



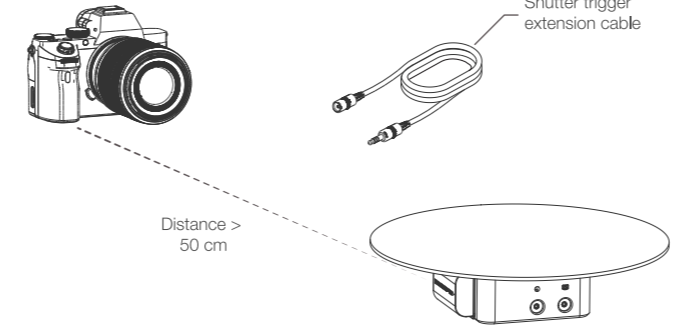
1. At the center of your DollyONE, there is a 3/8"-16 screw hidden to use with a tripod head. You can access it with the help of a coin. Place the coin on the screw and turn it until it pops out. To hide the screw back in its place, just press it down and turn it counterclockwise.

2. Place the turntable on 3/8" screw by turning it clockwise.



8. SHUTTER TRIGGER EXTENSION CABLE

If your camera is more than 50 cm away from your turntable, use a shutter trigger extension cable that comes with the product.



Distance > 50 cm

9. PREPARING THE TURNTABLE

Don't forget to peel the cover of turntable cover before using it.



10. START USING

1. Download the edelkrone App on your mobile device from App Store or Google Play. Links can be found at www.edelkrone.com/products/headone or www.edelkrone.com/product/pan-pro or www.edelkrone.com/products/dollyone



2. **a.** There are no on/off buttons on the HeadONE. To switch on, attach the battery to the HeadONE.
a. There are no on/off buttons on the DollyONE. To switch on, attach the battery to the DollyONE.
b. To operate Pan Pro, hold On/Off button down until the opening bar in the information screen is full-filled.
3. Your device is now ready for smart pairing or manual pairing through Bluetooth/Wifi.
4. After pairing the devices, you are now ready to use your HeadONE, Pan Pro or DollyONE. Just keep following the instructions on your mobile device or visit manuals.edelkrone.com for a detailed video instruction.

⚠ Always start using with a fully charged battery.

⚠ Make sure your mobile device's Bluetooth connection is on.

▶ A detailed video explaining the application usage details can be found at: <http://edel.kr/ho>

▶ A detailed video explaining the application usage details can be found at: <http://edel.kr/pnpr>

▶ A detailed video explaining the application usage details can be found at: <http://edel.kr/do>

DISCLAIMER

edelkrone cannot be held responsible for damage caused by improper use or modification of the product.

▶ For more information and tips about your Turntable, please watch the user's manual videos at: <http://edel.kr/ptk>