



LIVE PRODUCTION | SHOWS | SPORTS
WORSHIP | SCHOOLS | FILMING MONITOR | WEDDING

BeamLink-Ultimate

All-in-one Wireless Transmission Video + Intercom + Control Signals

BeamLink-Ultimate is the First All-In-One Wireless Transmission system in the industry that supports High-Definition Video, Voice Intercom, Tally and RS232/422/485 control signals simultaneously over wireless link. CVW designed it specifically for the requirements of multi-camera scenario in the live broadcasting applications. It has excellent multi-channel wireless transmission capability and comprehensive functions:

Features

- Complete Cable-free Four-Camera Transmission:
1080p60 video + voice intercom + Tally+ RS232/422/485 control signals
- High spectrum efficiency: transmits 4 channels video, data, voices and control signals in just one RF channel
- Support SDI+HDMI inputs and outputs, widely adapt to various types of cameras, switch consoles
- Support full-duplex voice intercom
- Up to 500m/1600ft transmission range (LOS)
- The receiver supports RTSP streaming
- DFS Certified



BeamLink-Ultimate

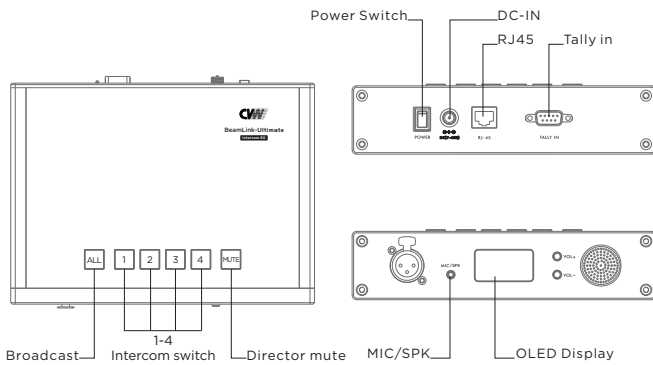
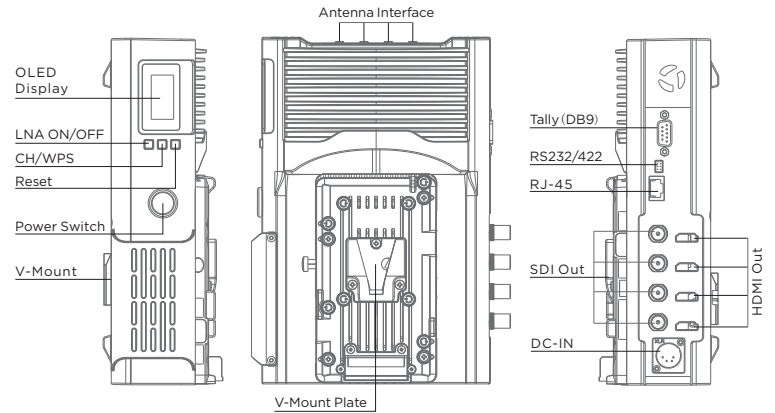
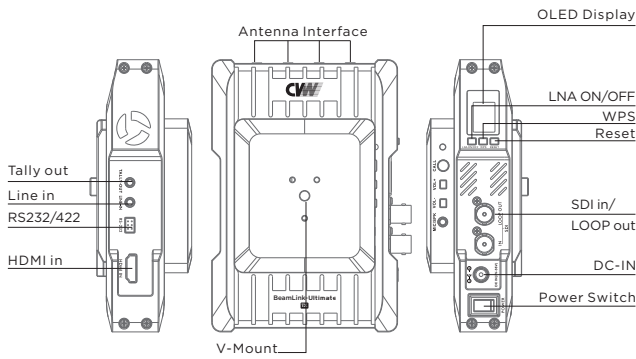


SHENZHEN CRYSTAL VIDEO TECHNOLOGY CO.,LTD
ADD: F13,F518 Idea Land,Baoyuan Road,Baoan Central Area,Shenzhen,China
Post code : 518102
Tel: +86-755-26716688-6652
E-mail: Sales@cv-hd.com

www.cv-hd.com
Fax: +86-755-29188427
E-mail: Marketing@cv-hd.com

Interface Information

Ordering information	Ordering NO.	Description	Unit/Set
	7081	TX	4
3081	RX	1	



Item	TX*4	RX
Antenna Mode	4x4 MIMO and Beamforming	
Transmission power	17dBm	Receiving Sensitivity -70dBm
Operating Frequency	5.1-5.8GHz	
Input/Output	TX: HDMI, 3G-SDI, Tally, RS232/422 RX: RS232 or RS422, Tally*2, HDMI*2, 3G-SDI*2, RJ45	
Video Resolution	720p50/59.94/60, 1080p23.98/24/25/29.97/30/50/59.94/60, 1080i50/59.94/60	
Headphone & Mic	2*3-pin 3.5mm port	
Headphone impedance	8-600ohm	
Mic impedance	2K	
Volume gain	30dB	
Operating voltage	7-17V	
Transmission Distance	500m(video code rate: 8Mbps per channel)	
Power Consumption	10W	20W
Audio Format	PCM, MPEG-2	

Intercom Console	
Port	RJ45*1, DC Power Port*1, DB9 Port*1, Microphone*1, Phone Jack*1, Loudspeaker*1
Operating Voltage	7-17V
Power Consumption	≤1.5W
Product Size	200mm(L)*146mm(W)*45mm(H)
Weight	1.13KG

BeamLink-Ultimate Application Diagram

