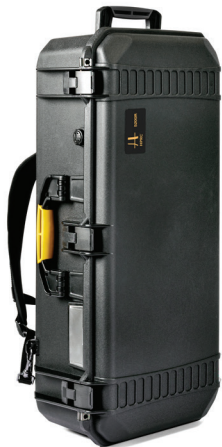


# HPRC5200R for MATRICE 30T

## M30T-5200R-01



- 1** Aircraft Body
- 2** DJI RC Plus Remote Controller
- 3** TB30 Battery
- 4** Various/Miscellaneous



### TECHNICAL FEATURES

#### Dimension:

Internal dimension  
772x302x210(mm) - 30.39x11.89x8.26 (in)  
External dimension  
802x355x246.7(mm) - 31.57x13.97x9,71 (in)



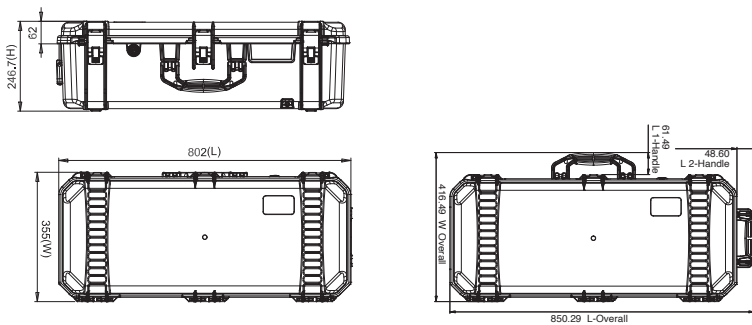
#### Weight:

empty: 5.05kg – 11.1lbs

#### Temperature rating:

Minimum                      Maximum  
-40°C -40°F                      +80°C +176°F

### TECHNICAL DRAWING



[www.hprc.it](http://www.hprc.it)  
[info@hprc.it](mailto:info@hprc.it)

USA office and warehouse:  
HPRC USA  
110 Chestnut Ridge Rd. #314  
Montvale, NJ 07645  
Phone +1(201) 989-3353

Plaber s.r.l. - HPRC cases  
Via Div Tridentina, 10  
I-36061 Bassano del Grappa  
Vicenza - Italy  
Tel +39 0424 809150



**APPROVALS**  
ATA 300  
IP67  
STANAG 4280  
DS 81-41

**TEST**  
DROP  
IMPACT  
HANDLE  
WATERTIGHT INTEGRITY  
UV COLOR AND MATERIAL  
PROTECTION

