

oconnor

2575D Fluid Pan & Tilt Head

C1234-0001
C1234-0002
C1234-0003
C1234-0004
C1234-0005
C1234-0006



Operators Guide
C1234-4980/4

OConnor 2575D

Fluid Pan & Tilt Head

Operators Guide
Publication Part No. C1234-4980 Issue 4

Copyright © Vitec Group plc

All rights reserved throughout the world. No part of this document may be stored in a retrieval system, transmitted, copied or reproduced in any way including, but not limited to, photocopy, photograph, magnetic or other record without the prior agreement and permission in writing of Vitec Group plc.

Trademarks

OConnor® is a registered trademark of the Vitec Group plc.

Important information about this document

Information contained within this document is subject to change. Vitec Videocom Limited, reserves the right, without notice to make changes in equipment design or performance as progress in engineering, manufacturing or technology may warrant.

Published by

Vitec Videocom Ltd.

Email: technical.publications@vitecgroup.com

Preface

Thank you and congratulations on the purchase of your new 2575D from OConnor.

We want you to get the most from your new 2575D, and therefore encourage you to read this operator's guide to familiarize yourself with its many features, some of which may be new to you. It also covers essential health and safety information and a section on maintenance that will ensure you keep your new product in perfect condition.

Please register your purchase online at www.ocon.com.

Features and benefits of your new 2575D

The 2575D head is the flagship of OConnor's ultimate range of fluid heads and features OConnor's stepless counterbalance system as well as ultra-smooth pan and tilt fluid drag designed for cine style shooting.

A collapsible counterbalance crank handle and numerical readout make counterbalancing the payload easy. The new platform has all the controls on the camera operator's side of the head (left side) and features a platform scale on both sides and four rosette handle mountings. The platform release lever has a one touch finger actuated safety release catch-while still requiring conscious effort.

OConnor's fluid drag system allows an extremely quick pan movement from one position to another, recovering instantly without any spring back.

You can set up easily in low light conditions using the illuminated bubble level.

Safety - read this first

Warning Symbols in this Operators Guide



Where there is a risk of personal injury or injury to others, comments appear highlighted by the word **WARNING!**—supported by the warning triangle symbol.

Where there is a risk of damage to the product, associated equipment, process or surroundings, comments appear highlighted by the word **CAUTION!**

Disposal of waste batteries

Any batteries included with this product must not be treated as household waste. By ensuring these batteries are disposed of correctly, you will help prevent potentially negative consequences for the environment and human health, and help conserve natural resources. Read the 'Battery Replacement' section in this manual for instructions on how to remove the battery from the product safely. Hand the battery over to the applicable collection point for recycling waste batteries.

Further Information

For further information or advice regarding this pan and tilt head, please contact OConnor at:

E-mail: info@ocon.com

Or visit our website www.ocon.com and use the contact form.

Technical specification

Payload Capacity:

Minimum: zero lb (no load)

Maximum: 87 lb (39.5 kg)

at C of G height of 8" (20.3 cm)

See counterbalance chart

Tilt Range $\pm 90^\circ$ throughout entire counterbalance
range, zero to maximum

Pan Range 360°

Height: 8.4 in (21.3 cm)

Width: 12.4 in (31.5 cm)

Depth: 8.6 in (21.8 cm)

Weight: 22.9 lb (10.4 kg)

Operating Temperature Range: -40°F to $+140^\circ\text{F}$ (-40°C to $+60^\circ\text{C}$)

Dolly/tripod fixing: Mitchell base or 150 mm Ball base

Contents

	Page
Preface	3
Safety - read this first.	4
Disposal of waste batteries	4
Technical specification	5
Further Information	4
Components	8
Introduction	10
Features and benefits of your new 2575D	10
Numeric Display	10
Ultra Smooth Fluid Drag	11
Pan and Tilt Locks	11
Tilt Lock Pin	11
Illuminated Bubble Level	11
Handle Mounting	11
Camera Mounting Platform	11
Bases	12
Operation	13
Installing the head	13
Handles	13
Mounting a camera	13
Stability	14
Balancing the Head	14
Fore and Aft Balance	15
Payload Weight and C of G Height Adjustment	16
Locking the Platform	16
Pan and Tilt Locks	17
Pan and Tilt Fluid Drag	17
Storing the head	17
Servicing	18
General	18
Routine Maintenance	18
Cleaning	18
Adjusting the Lock Levers	18
Battery Replacement	19

Components

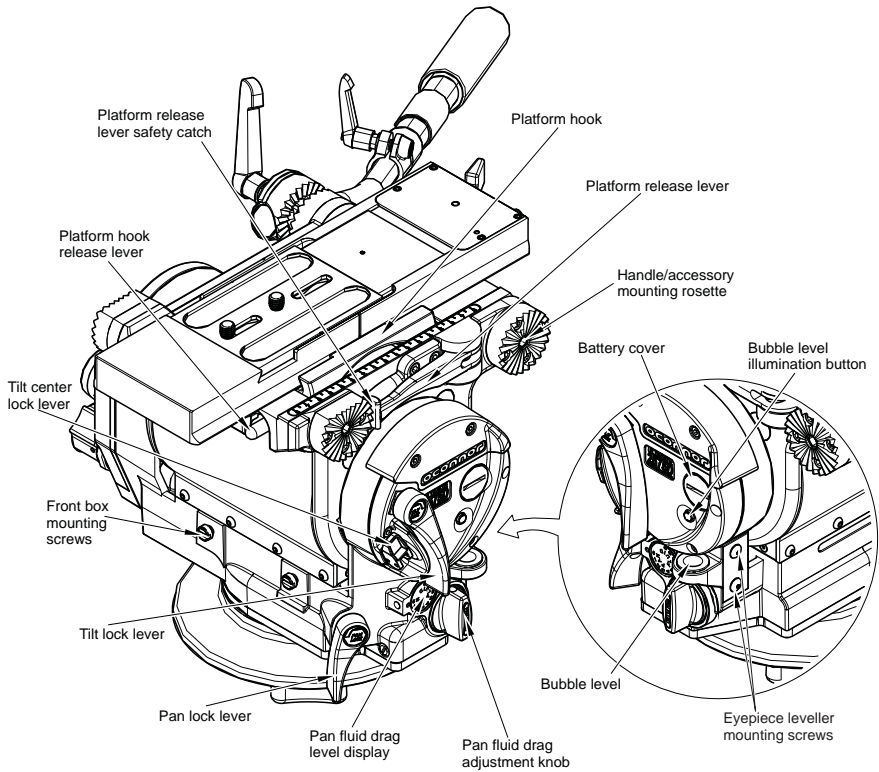


Figure 1 2575D Fluid Pan & Tilt Head - right-hand-side

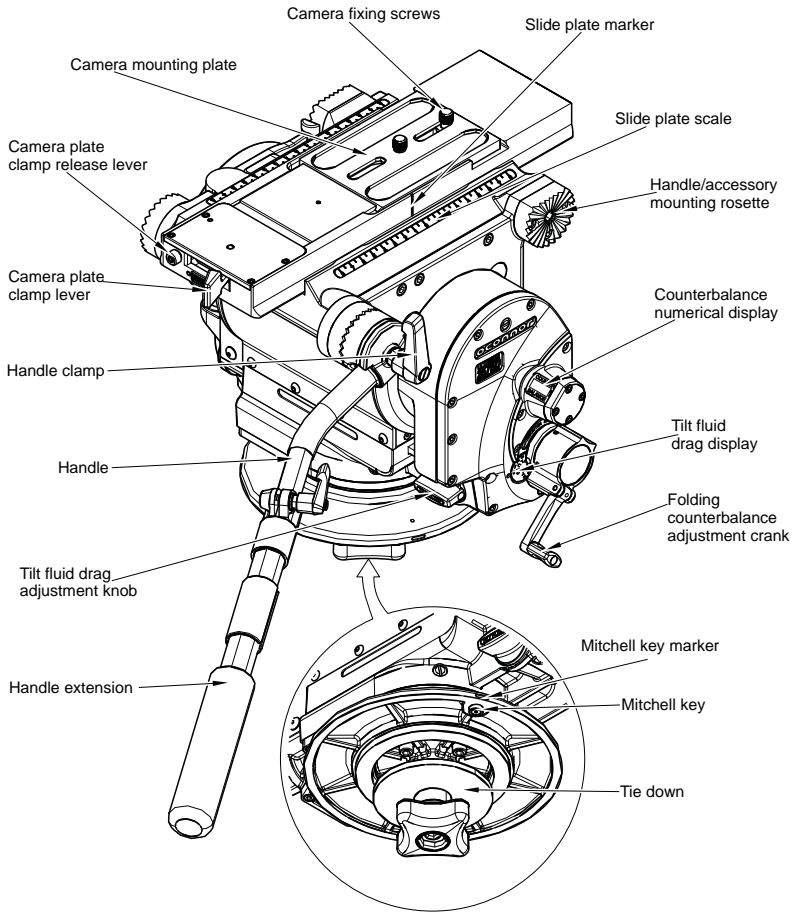


Figure 2 2575D Fluid Pan & Tilt Head - left-hand-side

Introduction

The 2575D pan and tilt head embodies a patented sinusoidal counterbalance mechanism for true and accurate balance; stepless drag assemblies for ultra-smooth pan and tilt motions; and an adjustable camera mounting plate.

Counterbalance

The balance mechanism is adjusted by the counterbalance crank on the lower right of the head. The knob has a folding handle which incorporates a clutch to prevent inadvertent damage to the balance mechanism by over cranking. Maximum and minimum payloads that can be balanced are dependent on the weight of the camera and accessories and on the center of gravity (C of G) height. The graph below shows the range of loads and C of G heights that can be maintained in balance. The counterbalance can be adjusted all the way to zero (no counterbalance) and the head can still be tilted $\pm 90^\circ$.

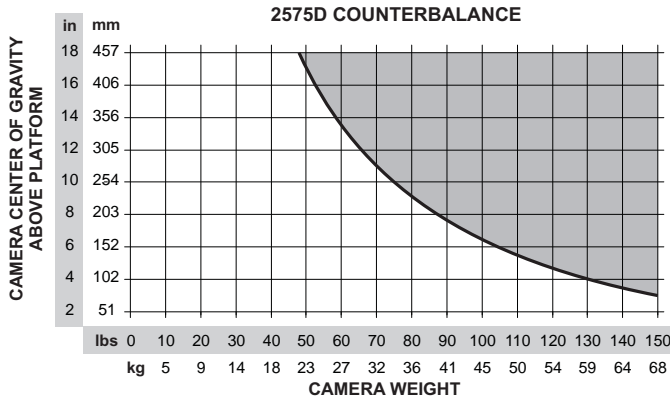


Figure 3 replacing the battery

Numeric Display

The numeric display indicates the setting of the counterbalance mechanism on a scale of 0-99%. Adjust the counterbalance crank clockwise to increase the counterbalance setting and counter clockwise to reduce it. The display has a three color coded band offering advance warning of cranking to the end limits. Green represents the normal operating range, yellow indicates adjustment within 20-10% from the end limit and red indicates adjustment within 10-0% from the end limit. When cranking into the red zone be careful to stop before reaching either "0%" or "99%".



Warning!

Do not attempt to adjust the counterbalance crank below 0% or above 99% as damage could occur.

Ultra Smooth Fluid Drag

Both the pan and tilt mechanisms incorporate OConnor's ultra smooth fluid drag to ensure smooth movement. The pan drag adjustment knob is located on the lower left rear of the head with its indicator wheel on the left side of the head, and the tilt drag adjustment knob on the lower rear-right side of the head with its indicator wheel on the right side end cover. Both controls are continuously adjustable from 0 to 9.

Pan and Tilt Locks

Friction locks on each axis allow the head to be locked at any desired position. The pan and tilt lock levers are on the left-side of the head with the tilt lock above the pan lock for easy and seamless operation.

Tilt Lock Pin

The tilt lock pin on the left side of the head is used to lock the platform in a horizontal position. The lock pin is actuated by a flip lever with red (locked) and green (unlocked) label indicators.

Illuminated Bubble Level

The bubble level on the left side of the head can be illuminated by pressing the bubble level illumination button. The light will go out after approximately 20 seconds.

Handle Mounting

Handle mounting rosettes are located at the front and rear of the head, on both the left and right sides. A telescoping extension handle is supplied and is attached using the handle clamp, with angular adjustment available on the rosette serrations. Additional handles, including a front handle, Randal handle and accessories can also be installed.

Camera Mounting Platform

The camera is attached to the head by means of a side loading platform mechanism. The mechanism is released by sliding the red clamp lock button to the left while pulling out the platform release lever in a counterclockwise direction. Once the release lever has been rotated about 90°, the red hook release lever in front of the platform can be pushed down and the platform removed from the head.

The platform plate options for the 2575D head are a follows:

- Euro style quick release with 120 mm camera mounting plate and screws
- OConnor plate with screws
- Panavision dovetail plate
- ARRI dovetail plate, 12" long
- ARRI dovetail plate, 24" long

Bases

The 2575D head can be fitted with either a Mitchell base and tie down or a 150 mm ball base and tie down. Bases are secured by four ¼-20 socket head cap screws requiring a 3/16" hex drive wrench.

Operation

Installing the head

The 2575D head may be installed onto standard tripods using either the Mitchell base and tie down or the 150 mm ball base and tie down as required.

**Warning!**

Do NOT fit the head to a tripod that cannot support the combined mass of the head and its full payload.

After securely mounting the head on to the tripod, use the bubble level to set it level. If necessary, press the bubble level illumination button to view the bubble level in poor light conditions.

Handles

Install the handles on the rosette handle mounts and adjust the position before tightening the clamps. Adjust the length of the telescoping handle as desired.

Mounting a camera

**Warning!**

Do not rely on the tilt lock when changing the payload. Always tilt the platform horizontal and engage the tilt lock pin by placing it in the red (engaged) position. The tilt pin will drop into the platform.

Ensure that the weight and C of G height of the total payload is within the range for which the head is designed.

If you are installing the head on a crane, pedestal or dolly, lock the crane, pedestal or dolly before installing the camera.

To mount the camera:

1. Attach the mounting plate to the bottom of the camera/lens.
2. Engage the tilt lock pin.
3. Release the safety catch and pull out the platform release lever.
4. Slide the camera mounting plate on to the platform towards the right side of the head until a loud "click" is heard. Once the platform hook engages the camera mounting plate, the camera is captive, but not locked.
5. Alternatively, press down and hold the red platform hook release lever on the front left hand side of the head, and position the camera mounting plate on top of the head. Release the red hook release lever until the platform hook automatically secures the camera mounting plate.

Operators Guide

6. Engage the platform release lever by rotating it towards the platform until the red safety catch engages.
7. Install the remainder of the payload (lens, zoom and focus controls, viewfinder, prompter etc.).

Stability



Warning!

When mounting the head on a tripod, it is possible to set the tripod legs so that the center of gravity of the tilted payload falls outside the footprint of the tripod, leading to instability.

Use the mid-level or floor spreader to ensure that the tripod legs are spread sufficiently so that the center of gravity of the tilted payload remains within the footprint of the tripod.

Balancing the Head

Make sure that the head is level before balancing. Check the bubble level to verify that the head itself is level and make sure that the platform is also level.

NOTE: It is important that the handle(s) and all camera accessories (lens, zoom and focus controls, viewfinder, prompter etc.) are fitted in their operational position before balancing the head. Any equipment fitted or adjusted later can unbalance the head.

Balancing the 2575D head achieves two objectives. First, when a head is correctly balanced the operator will need a minimum amount of effort to move the camera. Second, once balanced, the head and its payload can be set to any tilt position and the head will maintain this position with 'hands off'.

The chart below shows the range of load and C of G heights that can be maintained in balance. The area under the balance curve (colored white) corresponds to load/C of G combinations that can be balanced over the full tilt range of $\pm 90^\circ$. The area above the balance curve (shaded grey) corresponds to load/C of G combinations that exceed the capacity of the head.

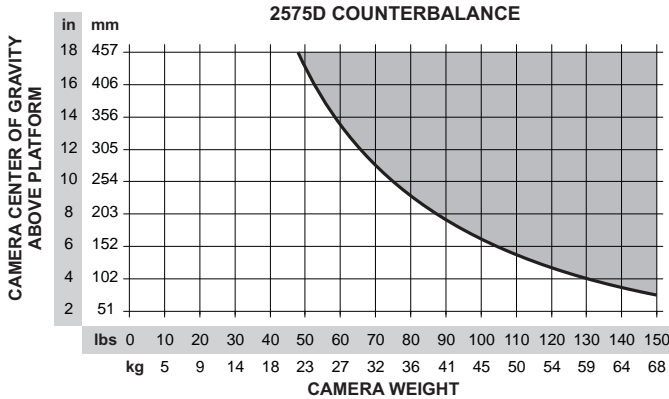


Figure 4 replacing the battery

Fore and Aft Balance

1. When positioning the payload, it is important to be aware of the potential danger that an unbalanced payload will fall away suddenly. Always be prepared for this by maintaining a firm hold on the payload until the balance is set correctly.
2. Make sure that the camera and all accessories are installed in their operating positions.
3. Before disengaging the tilt lock pin, turn the Counterbalance crank to set the counterbalance to 50%. Depending on the payload weight, it may be necessary to increase or decrease this setting to enable the payload to be correctly balanced fore and aft.
4. Make sure that the tilt lock pin is engaged.
5. Set the tilt fluid drag adjustment knob to 0.



Warning!

Be prepared to prevent the head falling away suddenly. In the event of the head falling away violently, increase the counterbalance setting using the counterbalance crank.

6. Holding the handle to steady the platform, disengage the tilt lock pin.
7. Tilt the platform forwards and backwards and determine if camera package is front or back heavy.
8. If it is not in balance, re-engage the tilt lock pin.
9. Release the safety catch and disengage the platform release lever. With the help of an assistant, carefully slide the camera payload and plate forwards or backwards until the payload is balanced fore and aft.
10. The horizontal balance is correct when no perceptible tilting force can be felt on the handle with the platform level and with the tilt lock pin disengaged.

Operators Guide

11. Fully engage the platform release lever to secure the payload in position. The red safety button should engage the platform release lever.
12. If there is insufficient movement in the sliding plate to achieve balance, determine which direction the mounting plate needs to be moved to achieve correct balance. Remove the payload from the head, reattach the mounting plate to the camera in the required position, remount the load and repeat the horizontal balancing procedure.
13. The sliding plate is marked and the platform has graduations. Make a note of the "balanced" position to simplify rebalancing this particular payload.

Payload Weight and C of G Height Adjustment

The fore and aft balance must be set before adjusting the payload weight and C of G height adjustment.

NOTE: If the correct numerical balance setting of the payload is known, tilt the platform to the horizontal position and turn the counterbalance crank until the numerical display shows the correct setting.

1. Using the handle, tilt the platform downwards and upwards. When correctly balanced, there should be no perceptible tilting force on the handle at any angle of tilt and the head should remain in any tilt position to which it is set.
2. If the head tends to fall away when the platform is tilted, the counterbalance will need to be increased. If the head tends to spring back when the platform is tilted the counterbalance will need to be decreased.
3. Set the platform level, unfold the counterbalance crank handle and turn it clockwise to increase or counter-clockwise to decrease the counterbalance setting as required.
4. Using the handle, tilt the platform upward and downward to recheck the balance. Readjust counterbalance until balance is achieved.
5. Make a note of the final numeric counterbalance setting to simplify rebalancing this particular payload.
6. When the payload weight and C of G height adjustment is complete, check that the fore and aft balance is still correct. Re-adjust the position of the sliding plate if necessary.
7. After balancing, exercise the head through the full range of pan and tilt to confirm that it operates smoothly.

Locking the Platform

The tilt lock pin mechanism is operated by a flip lever on the left-hand side of the head. To engage the pin, hold the platform in the horizontal position and flip the lever over from the green position to the red position. If necessary, use the handle to rock the head slightly to achieve the fully locked position. The pin and flip lever will snap towards the platform as the pin engages.

To release the tilt lock pin, flip the lever over from the red position to the green position. If the platform is not balanced this may require force. If so, make sure that the tilt lock lever is rotated clockwise to hold the platform in place.

Pan and Tilt Locks

The pan and tilt friction locks are operated by levers on the left of the head. The locks should be applied whenever the camera/head is left unattended.

Rotate the pan lock lever clockwise (toward the front of the head) to engage the lock.

Rotate the tilt lock lever counter clockwise (upwards) to engage the lock.

If the lock does not fully engage at the end of the lock lever travel, refer to "Adjusting the Lock Levers" in the Servicing section.

Pan and Tilt Fluid Drag

Both the pan and tilt mechanisms incorporate the OConnor ultra smooth fluid drag system to ensure smooth movement. The pan drag adjustment knob is located on the lower right rear of the head, and the tilt drag adjustment knob on the lower left of the head. Both controls are continuously adjustable from 0 to 9. To increase drag, turn the knob clockwise, towards a higher setting. To decrease drag, turn the knob counter-clockwise, towards a lower setting.

Storing the head

When shooting is finished and the head is to be stored, head settings (i.e. counterbalance and fluid drag) should be left unchanged. This will reduce wear on the head's mechanisms and save time on the next shoot.

Servicing

General

The 2575D pan and tilt head is robustly made to high engineering standards and little attention is required to maintain serviceability except for regular cleaning.

For service beyond the maintenance items described below, contact the OConnor headquarters or your local OConnor representative. Contact information is provided at the end of this document.

Routine Maintenance

Replace the battery whenever the bubble level illumination is inadequate.

During normal use, check the following:

- Check the effectiveness of the pan and tilt locks. Reset as necessary - see **Adjusting the Lock Levers**.
- Check the operation of the illumination of the bubble level. Replace the battery if necessary - see **Battery Replacement**.

No other routine maintenance is required.

Cleaning

During normal operation the only cleaning required is a periodic wipe down with a lint-free cloth. Any dirt that accumulates during storage or periods of non-use may be removed with a semi-stiff brush. Particular attention should be paid to the dovetail faces of the camera mounting area.

NOTE: Use only detergent-based cleaners. DO NOT use solvent-based or oil-based cleaners, abrasives or wire brushes to remove accumulations of dirt as these will damage the protective surfaces.

Use out-of-doors under adverse conditions may require special attention and the head should be covered when not in use. Salt spray should be washed off using fresh water at the earliest opportunity. Sand and dirt act as an abrasive and should be removed using a semi-stiff brush or a vacuum cleaner.

Adjusting the Lock Levers

If the pan and/or tilt friction locks do not fully engage at the end of the lock lever travel, adjust the lever position as follows:

1. Rotate the lock lever to the "locked" end of travel.
2. Use a 3/32" hex key to loosen the set screw in the lock lever.
3. Pull the lock lever off the hexagonal shaft, rotate it away from the "locked" end of travel by one flat on the shaft and reinstall it.
4. Tighten the set screw.

Battery Replacement

The battery illuminates the bubble level. It should be replaced whenever the illumination becomes inadequate.

1. If required, rotate the tilt lock lever to assess the battery cover.
2. Use a coin or flat blade screwdriver to unscrew the battery cover.
3. Carefully pull the battery out of its compartment with its ribbon.

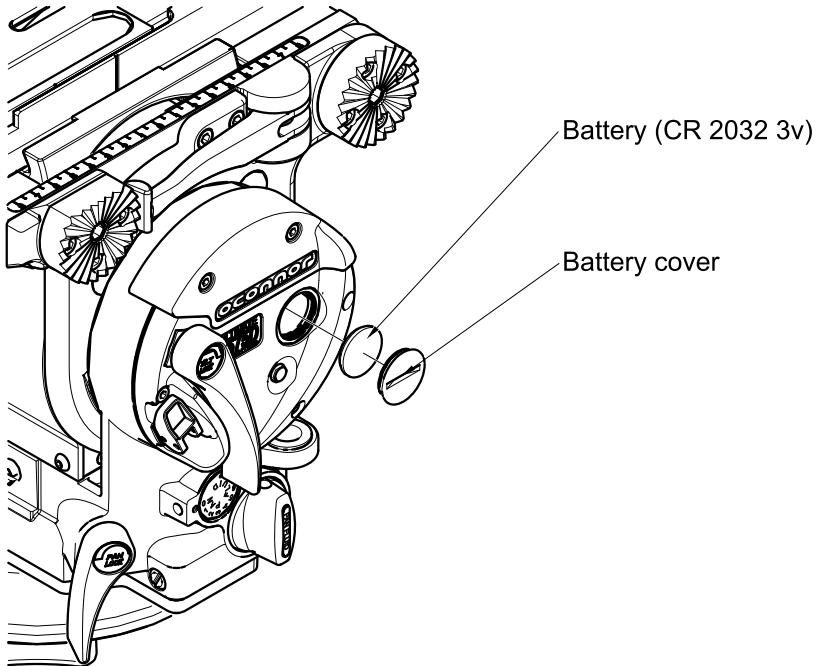


Figure 5 replacing the battery

4. Fit a replacement CR 2032 3v battery in the compartment, ensuring that the positive side (+) of the battery faces outermost and the ribbon is correctly positioned.
5. Replace the battery cover and tighten using a coin or flat blade screwdriver.
6. Press the bubble level illumination button and verify that the bubble level is lit for approximately 20 seconds.

NOTES

oconnor

<http://www.ocon.com>



Specifications are subject to change without notice
www.ocon.com - sales@ocon.com