

# STUDIO X5

## BI-COLOR

### Talent Light with Natural Quality

Litepanels **Studio X LED** Fresnels, engineered by world renowned broadcast lighting professionals Quartzcolor, deliver high-performance, directional, bright white light with precision spot to flood beam control and consistent quality.

Natural talent light with perfect skin tone rendering is achieved with high output Bi-Color COB LEDs to produce superior white light. With no variation in quality at any dimming level from 0-100% or across the adjustable CCT range from **2700°K to 6500°K**, Studio X Bi-Color Fresnels perfectly match ambient and practical set lighting to show talent in a naturally realistic light.

The Studio X5 Bi-Color 200W has a 10" lens with a wide spot-to-flood beam angle range of 16°-70°. With a maximum output of 11,704 lux at 10ft/3m (spot 5,600K), its output at 3,200K is similar to a 1KW traditional tungsten Fresnel. Advanced thermal management ensures 50,000+ hours of LED engine life, while individual burn-in and calibration tests ensure quality and consistency.

With high-quality, single source wrap-around illumination, Studio X is the perfect choice to light your talent – naturally.



#### PERFECT TALENT LIGHT

- Pure, bright, and consistent white light
- Perfect skin tone rendering

#### FLAWLESS FRESNEL BEAM

- Even field throughout the zoom range
- Effective light control with barndoors

#### COMPLETE CONTROL

- DMX, RDM, and local control
- Accurate, fine dimming curve

#### ENDURING PERFORMANCE

- Installed in leading broadcast studios
- Advanced thermal management

## Product Information

Part Number:	US	UK	EU
Standard Yoke	960-5303	960-5203	960-5103
Pole Operated	960-5313	960-5213	960-5113
Description	Studio X5 Bi-Color 200W LED Fresnel		
Includes	LCD graphic display and on-board control panel; 5-pin RDM-DMX in/out connectors; Powercon in/out connectors; built-in universal power supply; 4-leaf rotating barndoor Ø 12.7" (323mm); 10ft (3m) PowerCON True 1 cable. US version also includes: gel frame Ø 12.7" (323mm)		

## Accessories

900-6815	900-6816	900-6817	900-6818	900-6819	900-6820	900-6821
X5 & X6 Gel frame Ø323mm	X5 & X6 Scrim set Ø320mm	X5 & X6 Cone small aperture Ø323mm	X5 & X6 Cone medium aperture Ø323mm	X5 & X6 Cone large aperture Ø323mm	X5 & X6 4-leaf rotating barndoor Ø323mm	X5 & X6 8-leaf rotating barndoor Ø323mm

# Studio X5 BI-COLOR Specifications

## Optical Data

LED engine	Bi-Color COB
Lens	Fresnel 250mm / 10" Ø, low expansion borosilicate
Beam angle	16° - 70°
Correlated Color Temperature	Variable 2,700K to 6,500K
CRI	97
TLCI	97

## Operational Data

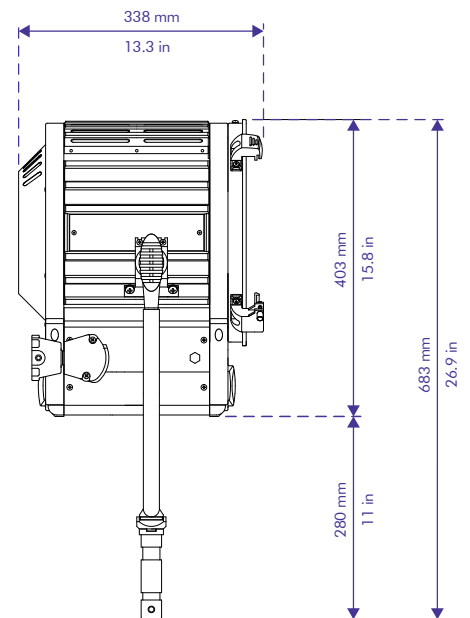
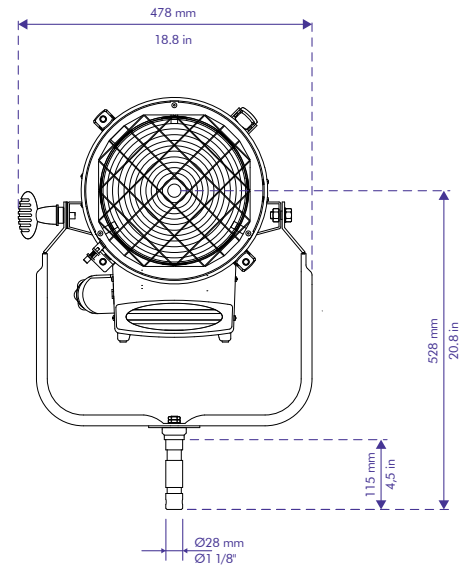
Focus adjustment	Wire focus mechanism on Teflon bushing
Dimming control	Constant Current 0-100% Continuous
Local control	Dual dial (dimming and CCT) and keypad controller with backlit LCD display
Control connections	5-Pin XLR in and through, Mini-USB
DMX control	Dimming and CCT, 8-bit and 16-bit
RDM control	DMX setup, hour counter, temperature
Fan	High efficiency convection, super silent fan with 3 speed presets
Software [Mini-USB]	Fixture status, firmware upgrade through PC
Ambient operating temperature	0° - 40°C / 32°-104°F
Estimated LED lifetime	50,000 hrs

## Mechanical Data

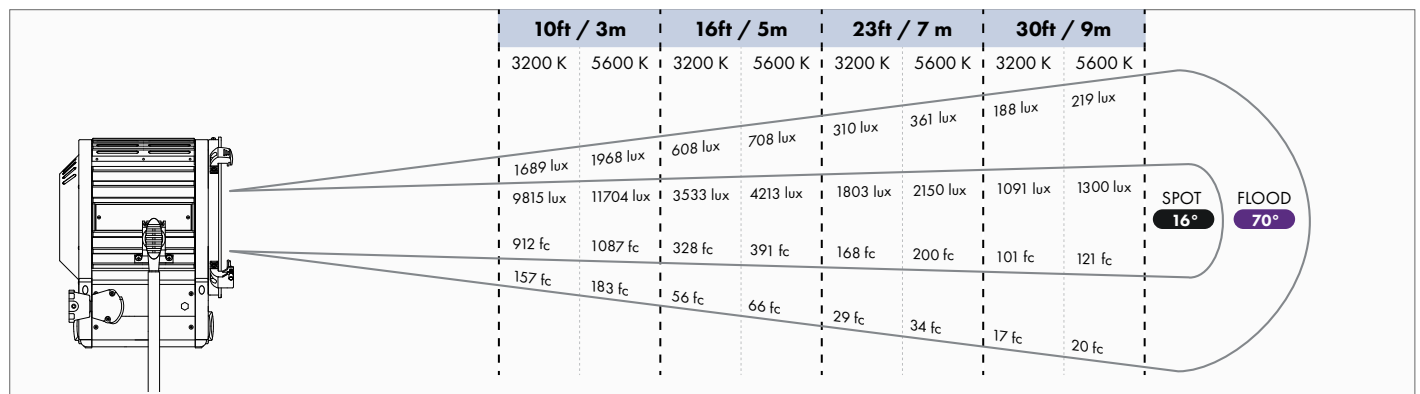
Mounting - standard	Yoke with lateral thrust bearing and lock off knob, Jr Pin [28mm / 1 1/8"]
Mounting - pole operated	Pole Operated Yoke, Jr Pin [28 mm / 1 1/8"]
Weight - standard	12.7kg / 28lb
Weight - pole operated	13.6kg / 29.98lb
Tilt angle	+/- 90°
Barndoor diameter	323mm / 12.7"
Safety mesh	Stainless steel 25x25mm / 1x1"

## Electrical

Nominal power draw	200W maximum
Power supply	Integrated, universal
Mains input	90 – 260 Vac, 50/60 Hz, autosensing
Power connection	powerCON TRUE 1, in and through
IP rating	IP20



## Photometrics



Investing in LED fixtures brings immediate benefits: up to 85% energy savings; extended LED engine life vs halogen lamp; no external dimmers required; reduced HVAC requirements due to lack of heat.

All product, specs and data are subject to change without notice  
©2022, Litepanels. All rights reserved.