



BM-215-NDI
21.5-inch FHD, 100% DCI-P3 WCG



BM-245-NDI
23.8-inch FHD, 100% DCI-P3 WCG

Features

FHD Wide Color Gamut LCD Panel

The NDI® monitors adopts 1920x1080 FHD LCD panel with 400nits backlight, and 100% DCI-P3 coverage wide color gamut for professional productions.

BM-215-NDI 21.5-inch 1920x1080 400nits 100% DCI-P3

BM-245-NDI 23.8-inch 1920x1080 400nits 100% DCI-P3

NDI®, SDI and HDMI

Support high bandwidth NDI® sources up to 4K 2160p30, and decoded to 3GSDI output.

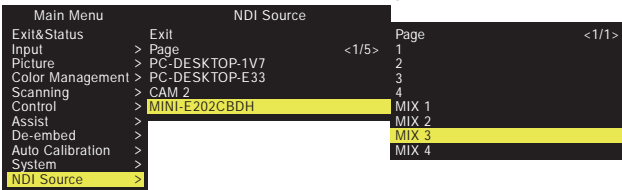
In addition, the monitors have 3GSDI 2-in 1-loop, and HDMI 2.0 4K 2160p60 input.

The NDI®, SDI and HDMI sources can be PIP or PBP displayed simultaneously.



NDI® Sources Auto Detect and Discover Server Support

All NDI® sources will be auto detected when the monitor is connected to NDI® network. Supports Discover Server to pull NDI® sources from different IP segments.

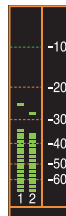


NDI® Low Bandwidth Mode Support

Switch on the Low Bandwidth mode of the NDI® monitors to display low bandwidth prvw channel of the NDI® source.

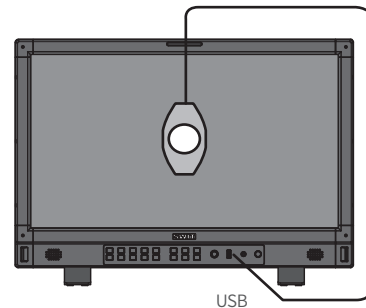
NDI® Embedded Audio Meters Display

Display 2 channels Audio meters that embedded into NDI® sources.



3DLUT Auto Self-Calibration

Built-in calibration software, supports X-rite i1 and JETI Specbos 1211 probes directly plug into monitor USB port to auto calibrate. Calibration time: X-rite i1: 15min; Specbos1211: 45min
Calibration result: $\Delta E < 1.0$

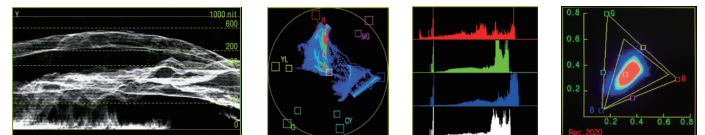


Specbos 1211 X-rite i1 (Dedicated version)

Built-in 3DLUT calibration software, Directly connect color sensor probe to monitor USB port, and the monitor will calibrate itself automatically.

Video Assist Patterns

Waveform and single line selection, Vector scope, Histogram and Color Gamut patterns, supports multiple display position, size and color selection for the patterns.



Y/Cb/Cr/R/G/B Waveform with nits Support single line waveform Vector Scope R/G/B/Y Histogram Rec. 709/2020 Color Gamut Pattern

Others

HLG/PQ/S-log3 HDR and Gamma 1.0/1.8/2.2/2.4/2.6 SDR EOTFs;
Rec.709 / DCI-P3 / Rec.2020 color gamut selection;
User 3DLUT cubes upload by USB;
Focus assist, R/G/B/mono, False color, Zebra, Freeze frame;
15:9, 14:9, 13:9, 4:3, 2.35:1, 2:1, 1.85:1 and User defined markers;
TSL 3.1/4.0 UMD and text TALLY display;
On-board V-mount battery plate (Gold mount for option);
GPI control and webserver IP control, USB firmware updates.



NDI® Sources Auto Detect
NDI® to SDI Decoder
100% DCI-P3 WCG Panel
3DLUT Self Calibration
Professional Monitor Tools

Video Formats

NDI®

4096×2160p (30 / 29.97 / 25 / 24 / 23.98)
 3840×2160p (30 / 29.97 / 25 / 24 / 23.98)
 2048×1080p (60 / 59.94 / 50 / 30 / 29.97 / 25 / 24 / 23.98)
 2048×1080i (50 / 59.94 / 60)
 1080p (60 / 59.94 / 50 / 30 / 29.97 / 25 / 24 / 23.98)
 1080i (60 / 59.94 / 50)
 720p (60 / 59.94 / 50)

NDI® Decoded to SDI OUT

2048×1080p (60 / 59.94 / 50 / 30 / 29.97 / 25 / 24 / 23.98)
 2048×1080i (50 / 59.94 / 60)
 1080p (60 / 59.94 / 50 / 30 / 29.97 / 25 / 24 / 23.98)
 1080i (60 / 59.94 / 50)
 720p (60 / 59.94 / 50)

SDI IN 1/2 and LOOP

2048×1080p (60 / 59.94 / 50 / 30 / 29.97 / 25 / 24 / 23.98)
 2048×1080i (50 / 59.94 / 60)
 1080p (60 / 59.94 / 50 / 30 / 29.97 / 25 / 24 / 23.98)
 1080i (60 / 59.94 / 50)
 1080psf (30 / 29.97 / 25 / 24 / 23.98)
 720p (60 / 59.94 / 50)
 480i (59.94) 576i (50)

HDMI IN (2.0)

4096×2160p (60 / 59.94 / 50 / 30 / 29.97 / 25 / 24 / 23.98)
 3840×2160p (60 / 59.94 / 50 / 30 / 29.97 / 25 / 24 / 23.98)
 1080p (60 / 59.94 / 50 / 30 / 29.97 / 25 / 24 / 23.98)
 1080i (60 / 59.94 / 50)
 720p (60 / 59.94 / 50)

Specifications

Model	BM-215-NDI	BM-245-NDI
Display		
LCD size	21.5 inches	23.8 inches
Resolution	1920×1080	1920×1080
Aspect Ratio	16:9	16:9
Color Depth	8bit 16.77M colors	8bit 16.77M colors
Color Gamut	100% DCI-P3	100% DCI-P3
Viewing angle	H/V 178/178	H/V 178/178
Brightness & Contrast	400nits, 1000:1	400nits, 1000:1
Interfaces		
NDI®	High bandwidth 4K NDI® RJ45×1	
NDI® to SDI OUT	3G/HD-SDI ×1	
SDI IN	3G/HD-SDI ×2	
SDI LOOP	3G/HD-SDI ×1	
HDMI IN	HDMI 2.0 ×1	
Audio OUT	3.5mm headphone + Speaker	
UMD IN&OUT	RS485×2	
GPI (Tally)	RS485×1	
Ethernet	RJ45×1, 1000M	
USB	USB-A×1 – 3DLUT & Firmware	
General		
AC Input	AC 100-240V 50/60Hz	
DC Input	DC 12-17V, V-mount plate	
Power	≤40W	
Working environment	0°C - +40°C; 10% - 90%	
Storage environment	- 15°C - + 60°C; 10% - 90%	
Dimensions	530.6×364.3×74.2mm	580.9×392.3×73.6mm
Weight	6.05kg	6.7kg

