

STUDIO X4

BI-COLOR

Talent Light with Natural Quality

Litepanels **Studio X LED** Fresnels, engineered by world renowned broadcast lighting professionals Quartzcolor, deliver high-performance, directional, bright white light with precision spot to flood beam control and consistent quality.

Natural talent light with perfect skin tone rendering is achieved with high output Bi-Color COB LEDs to produce superior white light. With no variation in quality at any dimming level from 0-100% or across the adjustable CCT range from **2700°K to 6500°K**, Studio X Bi-Color Fresnels perfectly match ambient and practical set lighting to show talent in a naturally realistic light.

The Studio X4 Bi-Color 150W has a 7" lens with a spot-to-flood beam angle range of 10°-45°. With a maximum output of 8,630 lux at 10ft/3m (spot 5,600K), its output at 3,200K is similar to a 650W traditional tungsten Fresnel. Advanced thermal management ensures 50,000+ hours of LED engine life, while individual burn-in and calibration tests ensure quality and consistency.

With high-quality, single source wrap-around illumination, Studio X is the perfect choice to light your talent – naturally.



PERFECT TALENT LIGHT

- Pure, bright, and consistent white light
- Perfect skin tone rendering

FLAWLESS FRESNEL BEAM

- Even field throughout the zoom range
- Effective light control with barndoors

COMPLETE CONTROL

- DMX, RDM, and local control
- Accurate, fine dimming curve

ENDURING PERFORMANCE

- Installed in leading broadcast studios
- Advanced thermal management

Product Information

Part Number:	US	UK	EU
Standard Yoke	960-4303	960-4203	960-4103
Pole Operated	960-4313	960-4213	960-4113
Description	Studio X4 Bi-Color 150W LED Fresnel		
Includes	LCD graphic display and on-board control panel; 5-pin RDM-DMX in/out connectors; Powercon in/out connectors; built-in universal power supply; 4-leaf rotating barndoor Ø 10.6" (269mm); 10ft (3m) PowerCON True 1 cable. US version also includes: gel frame Ø 10.2" (258mm)		

Accessories

900-6810 X4 Gel frame Ø258mm	900-6811 X4 Scrim set Ø258mm	900-6812 X4 Cone w/ variable aperture Ø269mm	900-6813 X4 4-leaf rotating barn-door Ø269mm	900-6814 X4 8-leaf rotating barn-door Ø269mm
--	--	--	--	--

Studio X4 BI-COLOR Specifications

Optical Data

LED engine	Bi-Color COB
Lens	Fresnel 175mm / 7" Ø, low expansion borosilicate
Beam angle	10° - 45°
Correlated Color Temperature	Variable 2,700K to 6,500K
CRI	97
TLCI	97

Operational Data

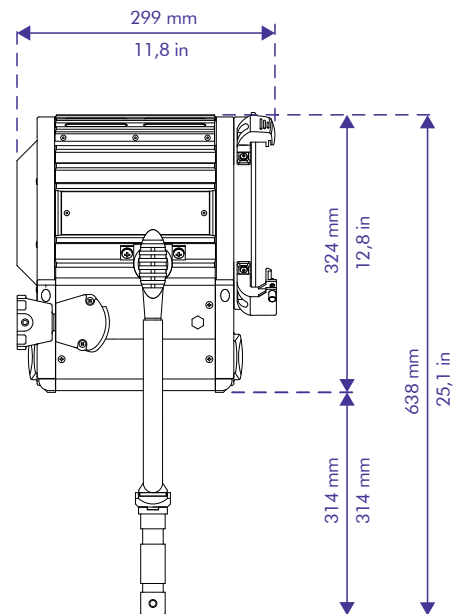
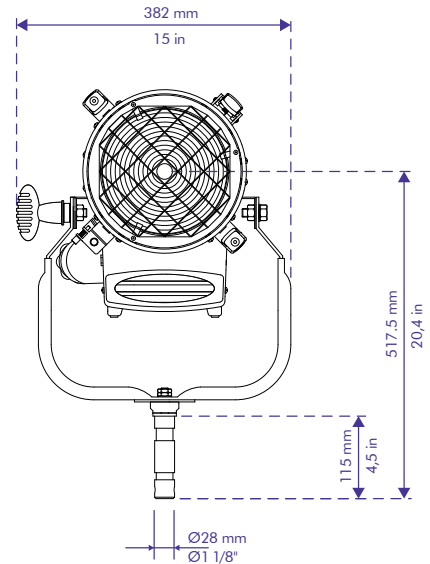
Focus adjustment	Wire focus mechanism on Teflon bushing
Dimming control	Constant Current 0-100% Continuous
Local control	Dual dial (dimming and CCT) and keypad controller with backlit LCD display
Control connections	5-Pin XLR in and through, Mini-USB
DMX control	Dimming and CCT, 8-bit and 16-bit
RDM control	DMX setup, hour counter, temperature
Fan	High efficiency convection, super silent fan with 3 speed presets
Software [Mini-USB]	Fixture status, firmware upgrade through PC
Ambient operating temperature	0° - 40°C / 32°-104°F
Estimated LED lifetime	50,000 hrs

Mechanical Data

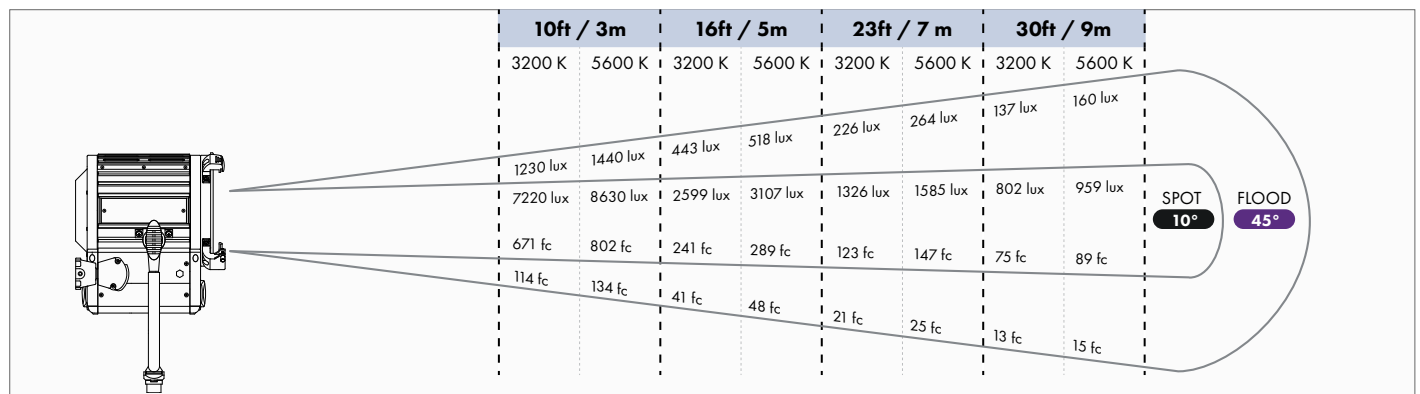
Mounting - standard	Yoke with lateral thrust bearing and lock off knob, Jr Pin [28mm / 1 1/8"]
Mounting - pole operated	Pole Operated Yoke, Jr Pin [28 mm / 1 1/8"]
Weight - standard	9.3kg / 20.5lb
Weight - pole operated	10.3kg / 22.7lb
Tilt angle	+/- 90°
Barndoor diameter	269mm / 10.6"
Safety mesh	Stainless steel 25x25mm / 1x1"

Electrical

Nominal power draw	150W maximum
Power supply	Integrated, universal
Mains input	90 – 260 Vac, 50/60 Hz, autosensing
Power connection	powerCON TRUE 1, in and through
IP rating	IP20



Photometrics



Investing in LED fixtures brings immediate benefits: up to 85% energy savings; extended LED engine life vs halogen lamp; no external dimmers required; reduced HVAC requirements due to lack of heat.

All product, specs and data are subject to change without notice
©2022, Litepanels. All rights reserved.