

STUDIO X3

Daylight

Talent Light with Natural Quality

Litepanels **Studio X LED** Fresnels, engineered by world renowned broadcast lighting professionals Quartzcolor, deliver high-performance, directional, bright white light with precision spot to flood beam control and consistent quality.

Natural talent light with perfect skin tone rendering is achieved with high output COB LEDs to produce superior white light. With no variation in quality at any dimming level from 0-100%, Studio X Fresnels perfectly match ambient and practical set lighting to show talent in a naturally realistic light.

The Studio X3 Daylight (5,600K) 100W Fresnel has a 5" lens with a wide spot-to-flood beam angle range of 16°-56°. The fixture offers output of 3,170 lux at 10ft/3m (spot). Advanced thermal management ensures 50,000+ hours of LED engine life, while individual burn-in and calibration tests ensure quality and consistency.

With high-quality, single source wrap-around illumination, Studio X is the perfect choice to light your talent – naturally.



PERFECT TALENT LIGHT

- Pure, bright, and consistent white light
- Perfect skin tone rendering

FLAWLESS FRESNEL BEAM

- Even field throughout the zoom range
- Effective light control with barndoors

COMPLETE CONTROL

- DMX, RDM, and local control
- Accurate, fine dimming curve

ENDURING PERFORMANCE

- Installed in leading broadcast studios
- Advanced thermal management

Product Information

Part Number:	US	UK	EU
Standard Yoke	960-3301	960-3201	960-3101
Pole Operated	960-3311	960-3211	960-3111
Description	Studio X3 Daylight 100W LED Fresnel		
Includes	LCD graphic display and on-board control panel; 5-pin RDM-DMX in/out connectors; PowerCON in/out connectors; built-in universal power supply; 4-leaf rotating barndoor Ø 7.9" (200mm); 10ft (3m) PowerCON True 1 cable. US version also includes: gel frame Ø 7.8" (198mm)		

Accessories

900-6805 X3 Gel frame Ø198mm	900-6806 X3 Scrim set Ø198mm	900-6807 X3 Cone w/ variable aperture Ø200mm	900-6808 X3 4-leaf rotating barndoor Ø200mm	900-6809 X3 8-leaf rotating barn-door Ø200mm
--	--	--	---	--

Studio X3 Daylight Specifications

Optical Data

LED engine	Daylight COB
Lens	Fresnel 130mm / 5" Ø, low expansion borosilicate
Beam angle	16° - 56°
Correlated Color Temperature	5,600K
CRI	>90

Operational Data

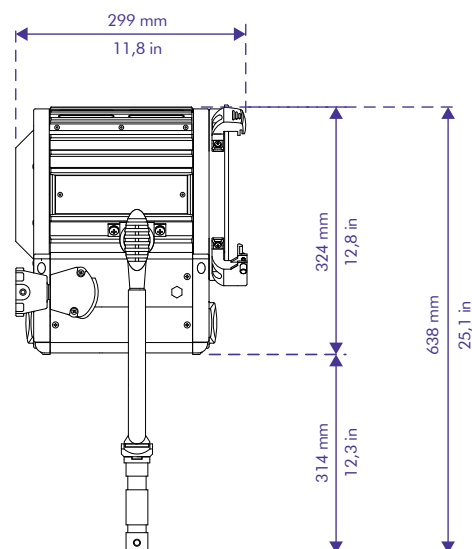
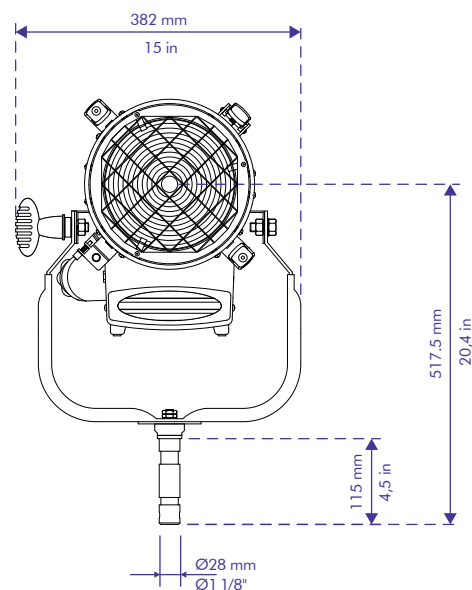
Focus adjustment	Wire focus mechanism on Teflon bushing
Dimming control	Constant Current 0-100% Continuous
Local control	Single dial (dimming) and keypad controller with backlit LCD display
Control connections	5-Pin XLR in and through, Mini-USB
DMX control	Dimming, 8-bit and 16-bit
RDM control	DMX setup, hour counter, temperature
Fan	High efficiency convection, super silent fan with 3 speed presets
Software [Mini-USB]	Fixture status, firmware upgrade through PC
Ambient operating temperature	0° - 40°C / 32°-104°F
Estimated LED lifetime	50,000 hrs

Mechanical Data

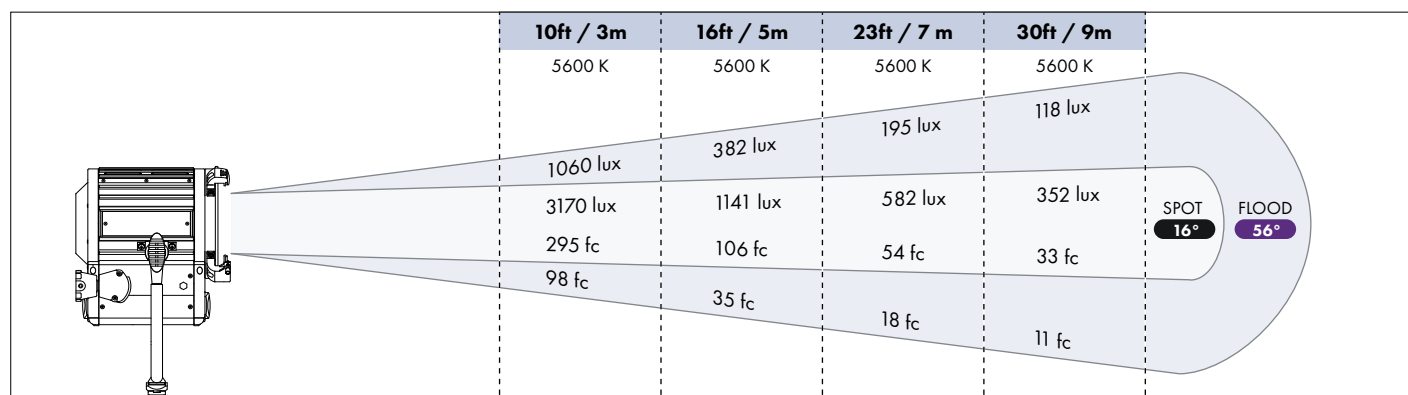
Mounting - standard	Yoke with lateral thrust bearing and lock off knob, Jr Pin [28mm / 1 1/8"]
Mounting - pole operated	Pole Operated Yoke, Jr Pin [28 mm / 1 1/8"]
Weight - standard	5.3kg / 11.68lb
Weight - pole operated	6.4kg / 14.1lb
Tilt angle	+/- 90°
Barndoor diameter	200mm / 7.9"
Safety mesh	Stainless steel 25x25mm / 1x1"

Electrical

Nominal power draw	100W maximum
Power supply	Integrated, universal
Mains input	90 – 260 Vac, 50/60 Hz, autosensing
Power connection	powerCON TRUE 1, in and through
IP rating	IP20



Photometrics



Investing in LED fixtures brings immediate benefits: up to 85% energy savings; extended LED engine life vs halogen lamp; no external dimmers required; reduced HVAC requirements due to lack of heat.

All product, specs and data are subject to change without notice
©2022, Litepanels. All rights reserved.