

# HPRC ROS2500-01



FOR DJI RONIN-S



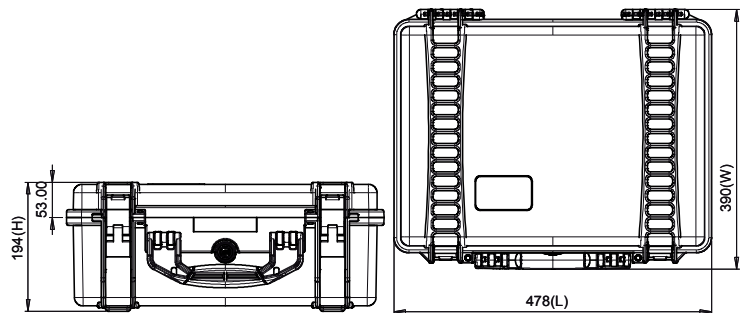
- 1 Gimbal with Focus Wheel
- 2 Extended Grip/Tripod
- 3 Camera Mounting Plate
- 4 24W Usb Power Adapter
- 5 BG37 Grip x 2
- 6 Accessories Box

## TECHNICAL FEATURES

**Dimension:**  
internal dimension 450x323x175(mm) - 17.72x12.72x6.89(in)  
external dimension 478x390x194(mm) - 18.82x15.35x7.64(in)

**Weight:**  
3,71kg - 8.18lbs

**Temperature rating:**  
Minimum -40°C -40°F  
Maximum +80°C +176°F



### Plaber s.r.l. - HPRC cases

Via Div Trentina, 10  
I-36061 Bassano del Grappa  
Vicenza - Italy

Tel +39 0424 809150  
Fax +39 0424 808548

### USA office and warehouse:

Plaber America Inc - HPRC cases  
240 Anderson Avenue  
07074 Moonachie - New Jersey

Tel +1 201 617 2010  
Fax +1 201 617 2001

[www.hprc.it](http://www.hprc.it)  
E: [info@hprc.it](mailto:info@hprc.it)

**HPRC**

**TTX01**