

genie. One

Setup Guide

Model: G11

Welcome to the Syrp family

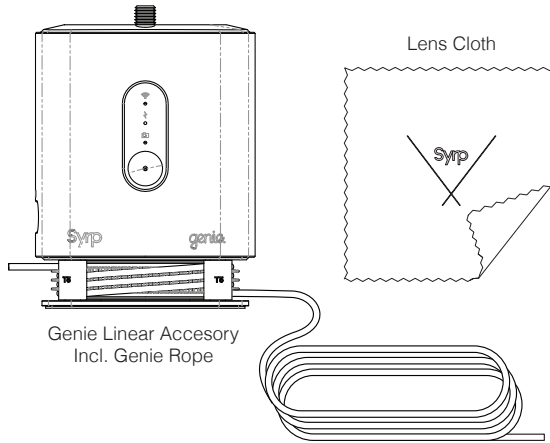
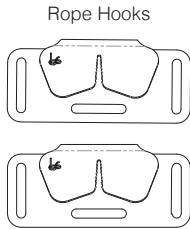
Before you start filming, there are a few simple steps to follow to ensure your Genie One is assembled correctly and you're shooting smoothly.

This guide will walk you through the correct Genie One set up, as well as some helpful tips.

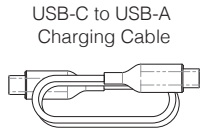
Additional resources can be found at
support.syrp.co

What's in the Box

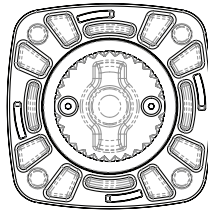
Genie One



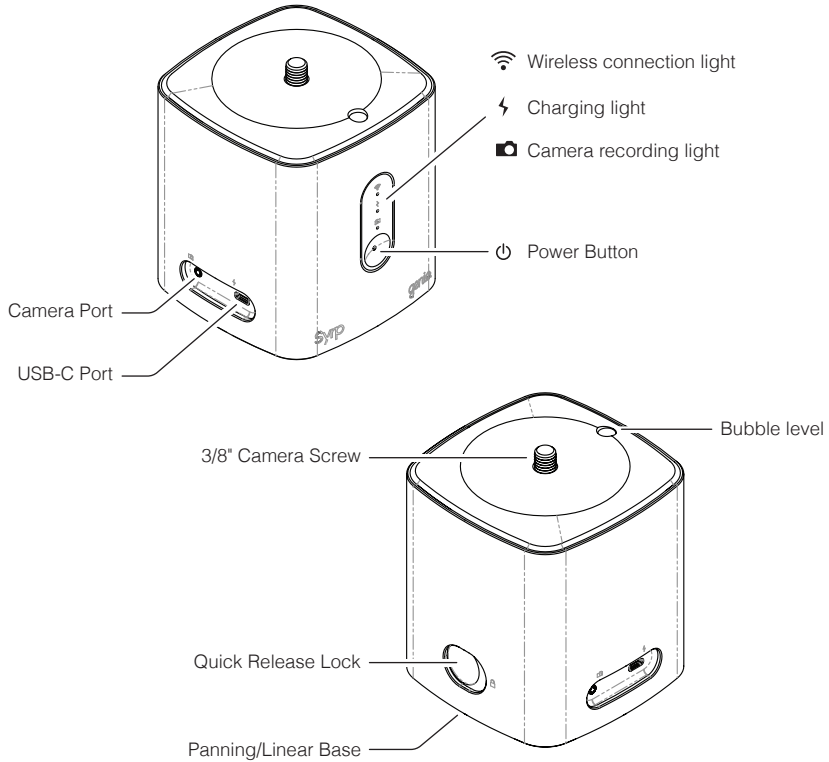
Genie Linear Accessory
Incl. Genie Rope



Genie Panning Accessory

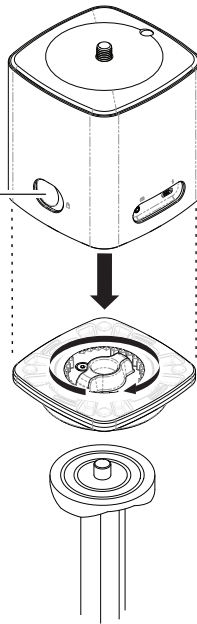
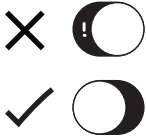


Genie One



Mounting for Panning Movement

⚠ **IMPORTANT**
Ensure the Quick Release button is in the lock position and there is no orange showing.

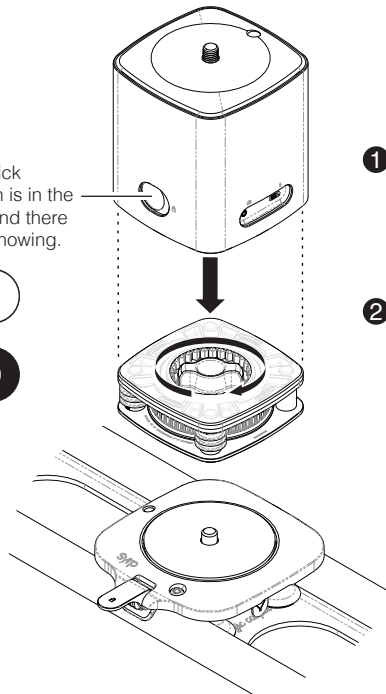
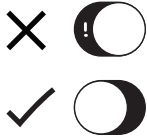


1 Twist the Panning Accessory camera screw knob onto the Tripod 3/8" camera screw.

2 Align the Genie One with the Panning Accessory and firmly press it into the base until you hear a click.

Mounting for Linear Movement

⚠ **IMPORTANT**
Ensure the Quick
Release button is in the
lock position and there
is no orange showing.

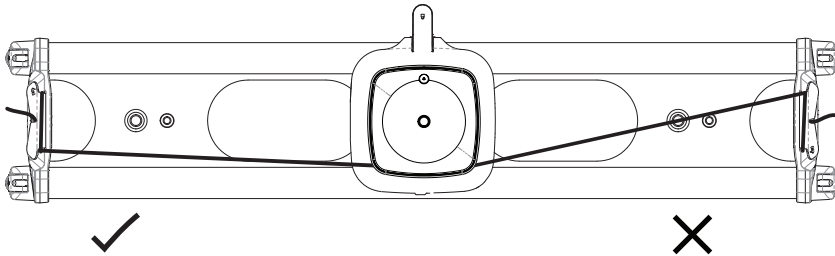


1 Twist the Linear Accessory
camera screw knob onto the
Slider carriage 3/8" camera
screw

2 Align the Genie One with the
Linear Accessory and firmly
press it into the base until you
hear a click.

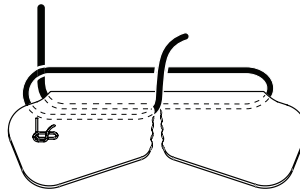
Tie off the Genie Rope

Tie off the Genie rope to both ends of your track using the supplied rope hooks. Make note of the correct direction of the rope as illustrated.



- i Rope should tie off on the rope hooks on the same side as it exits the linear plate, creating the smallest angle.

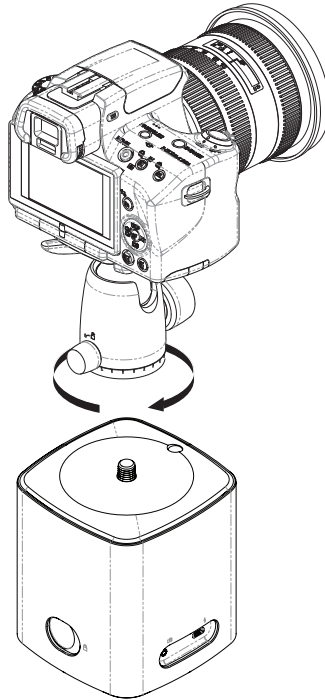
Rope Tie Off Method



Mount Camera

Screw your camera and ballhead to the Genie One 3/8" camera screw

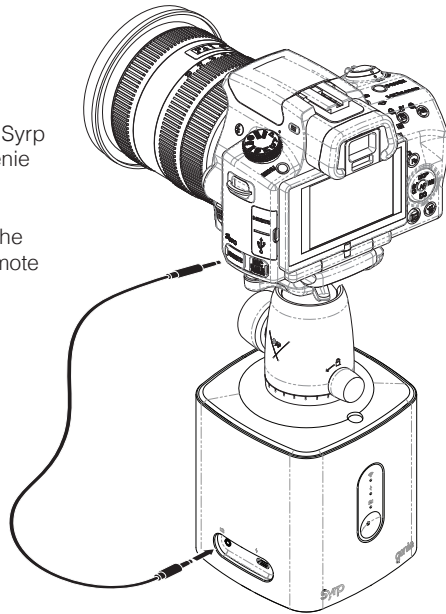
⚠ **IMPORTANT**
Do not lift the Genie and or attached equipment by the camera. Always detach first and transport separately.



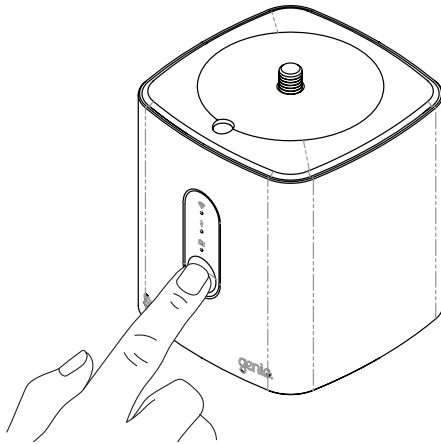
Camera Control

- 1 Plug the 2.5mm jack-end of a Syrp Shutter Link Cable into the Genie One Camera Port.
- 2 Connect the opposite end of the Shutter Link Cable into the remote port of your camera.

The shutter cable is not required for video recording



Connect to the Genie One



- 1 Turn on the Genie One, press the on button once.
- 2 Turn Bluetooth on in your mobile device settings.
- 3 Download the Syrp Genie App



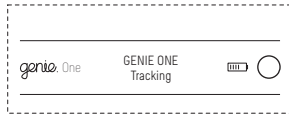
- 4 Open the Syrp Genie App.

Continued overleaf.

App Connect



1 Tap the CONNECT icon.



2 Select your Genie or multiple Genies to link to more than one Genie.



3 Tick confirms Connection.

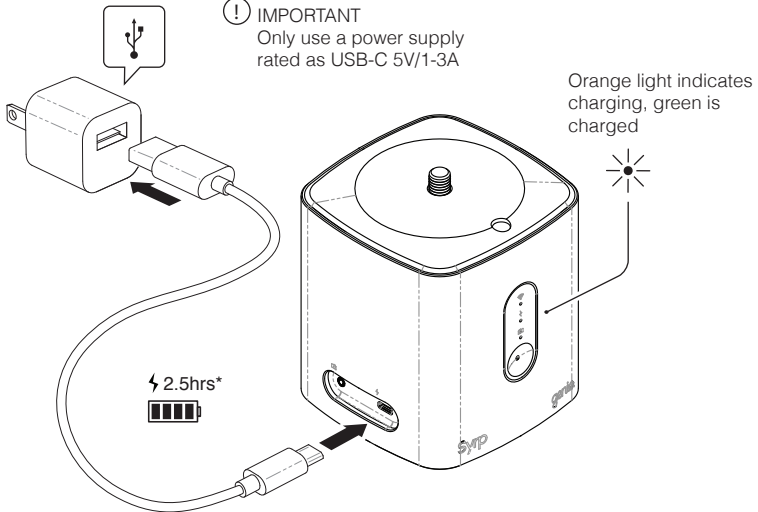


4 Press CONNECTION to return to Home menu

Charging

- 1 Plug the USB cable into a wall charger, laptop or USB port.

⚠ IMPORTANT
Only use a power supply
rated as USB-C 5V/1-3A



- 2 Plug the USB-C plug into the Genie One charging port.

*Charge time is 2.5hrs with a
5V/3A power supply.

Threading the Linear Plate

- 1 Thread an untied end of the rope into the bottom of the roller where it's marked 'IN' following the arrow.

Thread the rope end through to the bottom of the next roller marked 'OUT'.

Ensure the rope is sitting at the bottom of the roller.

- 2 Continue to thread the rope through the next 2 rollers marked T5.

- 3 Repeat the above steps 3 more times, stacking each wind above the last.

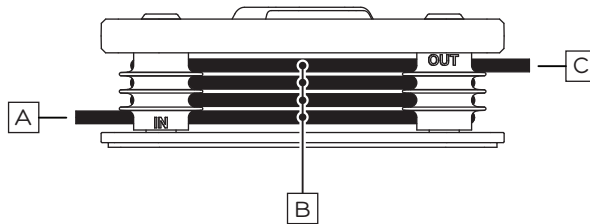
Ensure each rope sits individually in the grooves of the Guide Rollers

Continued overleaf.

The Capstan is pre-wound,
avoid removing unless
absolutely necessary

Checking the Linear Plate

- 4 Turn the linear plate so you are looking face on to the Guide Rollers. The rope should pull freely and you should see the following:



- A The rope entering the linear plate where the roller is marked 'IN'
- B 4 Rows of rope wound around the Linear Plate one above the other
- C The rope exiting the linear plate where the roller is marked 'OUT'

Genie Quick Tips

When recording photographs always, set your camera and lens to manual focus (MF). If set to Auto Focus (AF) the camera can misfire leading to missed frames.

Turn image review OFF on your camera. On some cameras, image review can cause missed frames in your time-lapse.

Firmware Tips

If you're having difficulty updating the Firmware, try these tips.

- Try to update on a different device. If it works you can go back to using your original device.
- Do not connect to other Bluetooth devices while updating. It's best to turn off other nearby Bluetooth devices completely, or the update may fail.
- Try the update from a different location; in some situations unknown interference can cause a failed update.

For more information visit support.syrp.co

Stay in Touch


We hope that the Genie One helps to expand your creativity and assists in making better films. Please stay in touch with us, join our community and show us your work.


www.syrp.co 

<http://youtube.com/syrpey> 

vimeo.com/syrp 

instagram.com/syrp_ 

<https://www.facebook.com/syrp.co> 

twitter.com/syrp_ 

syrp@syrp.co.nz 

32 Crummer Rd
Auckland 1021
New Zealand
Ph.+64 9 360 9570

better films.