



This multi-purpose spotlight is not much larger than an AX3 but features all our latest technological achievements such as Titan LED Engine, CRMX & wired DMX via PowerBox and direct App control without ART7. Each of its 4 sides includes an airline track and a nifty rail to slide-in mounting accessories which allows a quick connection of several PixelBricks to form clusters and geometrical shapes.

## SPECIFICATIONS



Max 20h



Wireless DMX



IP65



App

Order Code	PB15
LED Engine	Titan LED Engine
Colors	RGBMintAmber
Total LED Power	15W
Power Draw	12W
Light Output – 2700k, 3200k, 5500k*	388lm, 450lm, 375lm
CRI(Ra)/TLCI 3200-6500k*	≥96
Beam Angle	13°
Strobe	0 - 25Hz
Pixel	1
Battery Lifetime	70 % after 300 cycles
Battery Runtime	up to 20 hours
Charging Time (nominal)	5 hrs
Input Voltage	24VDC
Input Current	0.8A
Wired DMX	Yes (via PWB-2-86)
CRMX Receiver	Built in
Wireless Frequencies	CRMX 2.4GHz, UHF, Bluetooth
Range (m/yds)	300/330 (Bluetooth 3/3,3)
Housing Material	Aluminium
IP Rating	IP65
Ambient Temperature (°C/°F)	0° - 40° / 32° - 104°
Weight (kg/lbs)	1.12 / 2.47
Dimensions (mm/inches)	91 x 91 x 94 / 3.6 x 3.6 x 3.7

\*Typical values

## RF CHARACTERISTICS

Wireless Modules	EU: UHF (863-870MHz)	USA: UHF (917-922.20MHz)	AUS: UHF (922.30-927.50MHz)	SGP: UHF (920.50-924.50MHz)
Modulation	FHSS	FHSS	FHSS	FHSS
ERP (Transmitter)	<25mW	<25mW	<25mW	<25mW
Channel Count	47	53	53	41

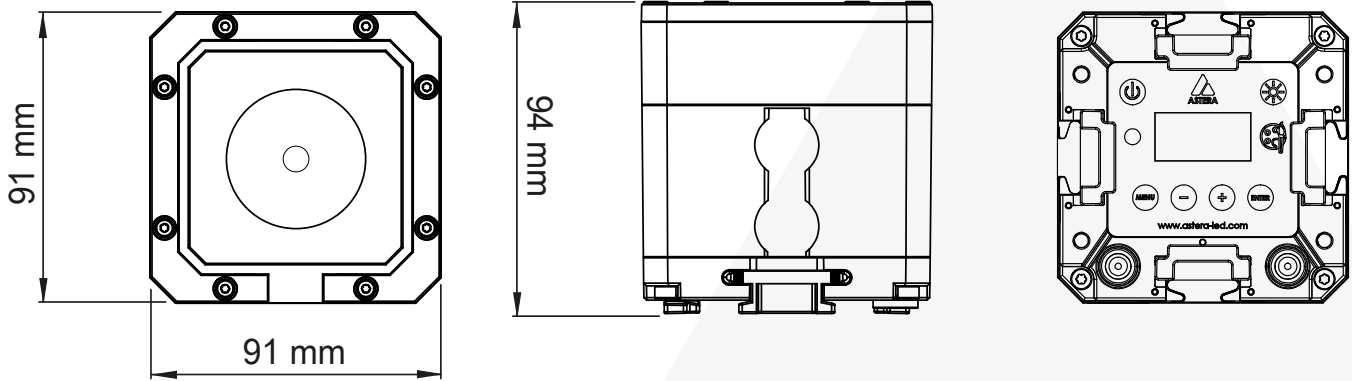
Wireless Modules	KOR: UHF (917.9-921.5MHz)	RUS: UHF (868.75-869.12MHz)	JPN: UHF (922.80-926.40MHz)	CRMX (2402-2480MHz)	Bluetooth 5.0 LE (2402-2480MHz)
Modulation	FHSS	FHSS	FHSS	FHSS	FHSS
ERP (Transmitter)	<25mW	<25mW	<25mW	-	10mW (BLE)
Channel Count	10	6	19	79	40

# BUILT-IN BLUETOOTH AND UHF TRANSMITTER

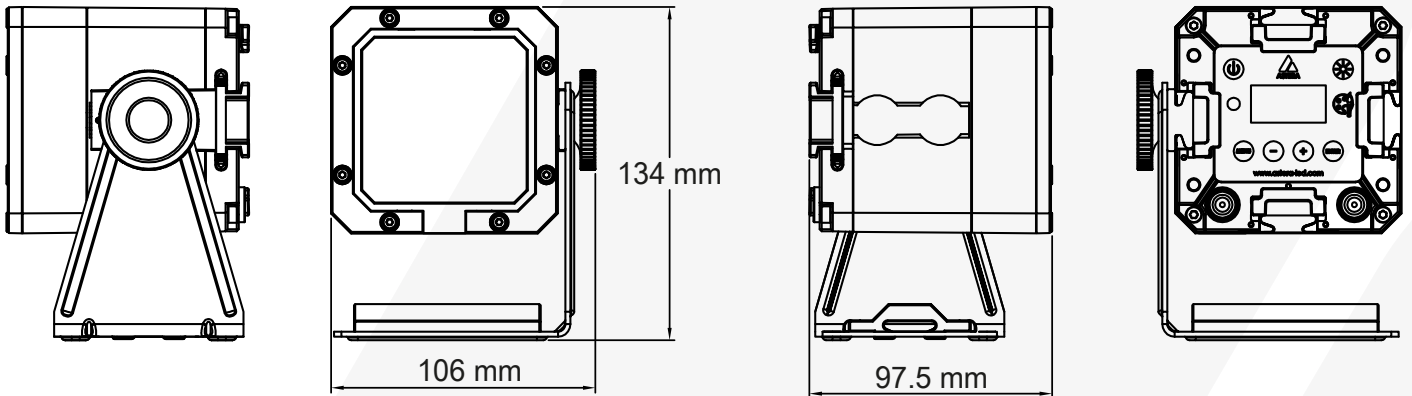
Connect directly to a PixelBrick via Bluetooth. This master light will revert AsteraApp commands to all other NYX Bulbs and other Astera lights via UHF band.



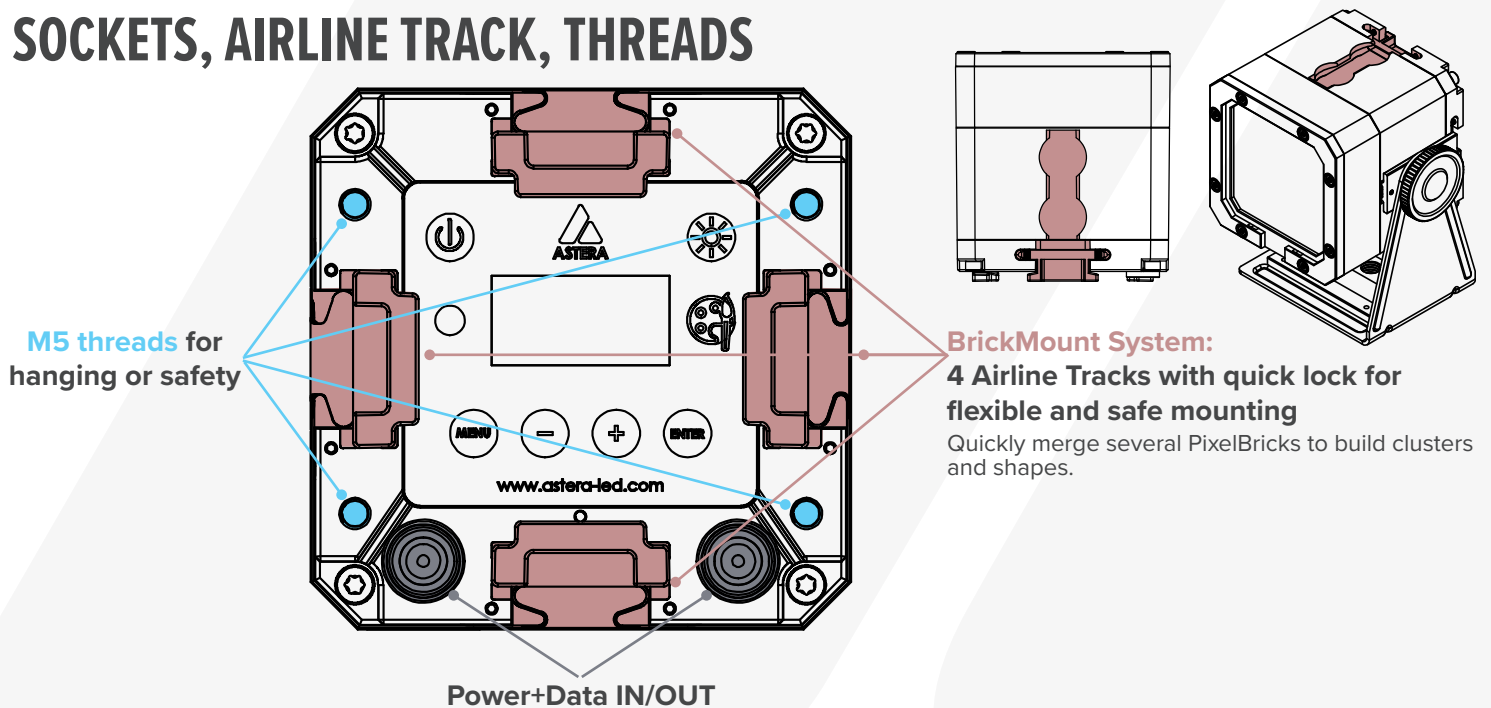
## DRAWINGS WITHOUT BRACKET



## WITH BRACKET



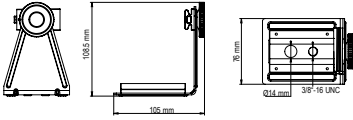
## SOCKETS, AIRLINE TRACK, THREADS



# ACCESSORIES

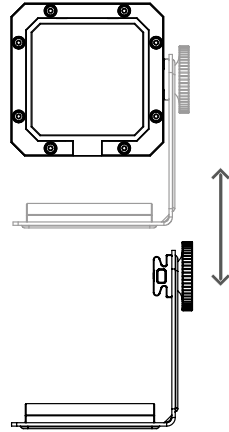
## BrickBracket PB15-BBR

included

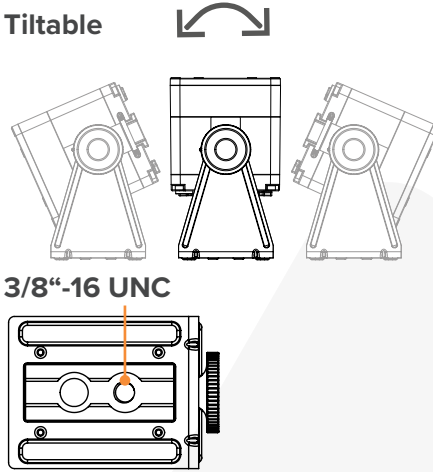


Weight (1pc): 270g / 5.59lbs

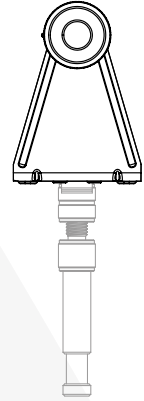
### Removeable



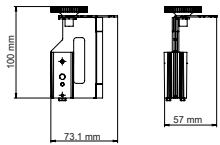
### Tiltable



### AirlineTrack on bottom for mounting



## BrickHinge PB15-BHI

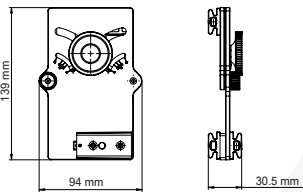


Weight: 220g / 0.48lbs

### BrickHinge on PixelBrick to create several shapes



## BrickTilt PB15-BTLT



Weight: 270g / 0.59lbs

### BrickTilt on PixelBrick



### Tilt the angle of the PixelBrick outward or inward



### Build creative shapes



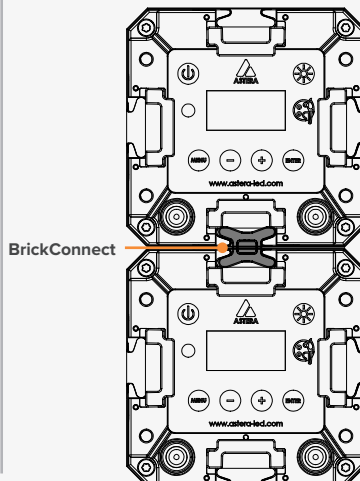
## BrickConnect PB15-BCN

included

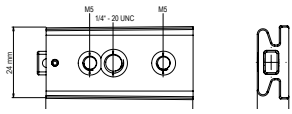


Weight (1pc): 27g / 0.059lbs

### Connect your PixelBricks to several shapes



**BrickMount**  
PB15-BMO

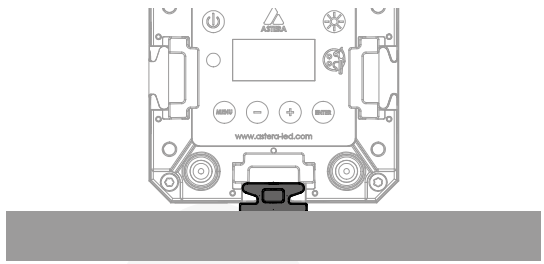


Weight (1pc): 25g / 0.55 lbs

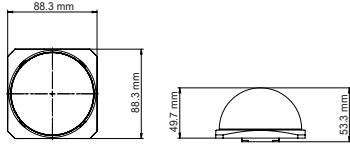
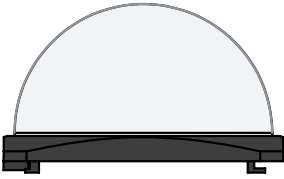
**BrickMount on PixelBrick**



**Mounted on plate**



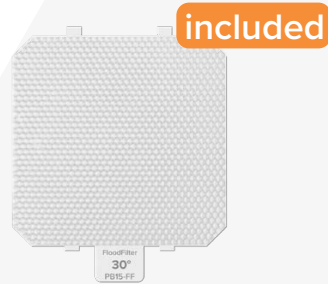
**BrickDome**  
PB15-BDM



**BrickDome on PixelBrick**



**Filters**



**FloodFilter 30°**  
PB15-FF



**BeamSoftener 17°**  
PB15-BSO

**TrackPin**  
AX-TP



**EyeBolt**  
FP1-EBLT



**Power/Data Cable**  
5m, 10m, 15m  
PWB-CAB-5/-10/-15



**Power/Data Cable**  
0,2m  
PWB-CAB-0.2



**ChargingCase**  
PB15-CHRCSE



Weight (empty ): 6.8kg / 15lbs  
Weight (full): 16.3kg / 36lbs



Dimensions (mm/inch)  
541.5 x 400 x 205.5 / 21.3 x 17.44 x 8.1

**AccessoryCase**  
PB15-ACCCSE



Weight (empty ): 7kg / 15.4lbs  
Weight (full): 13.3kg / 29.3lbs

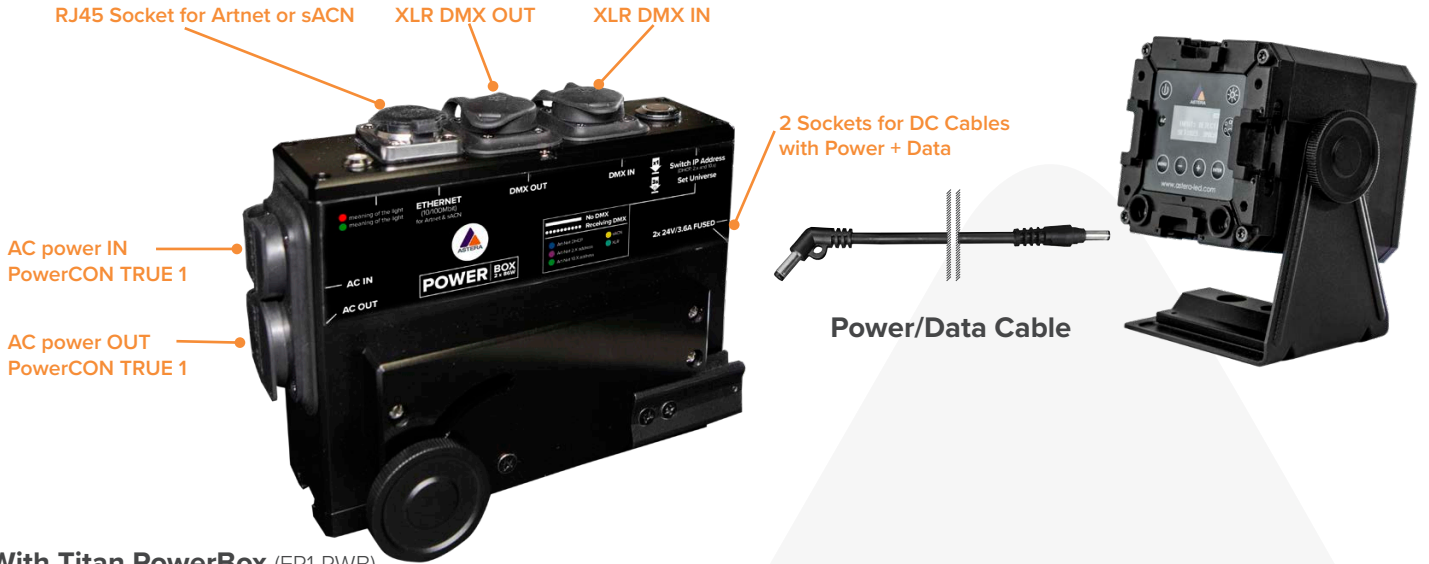


Dimensions (mm/inch)  
541.5 x 400 x 205.5 / 21.3 x 17.44 x 8.1

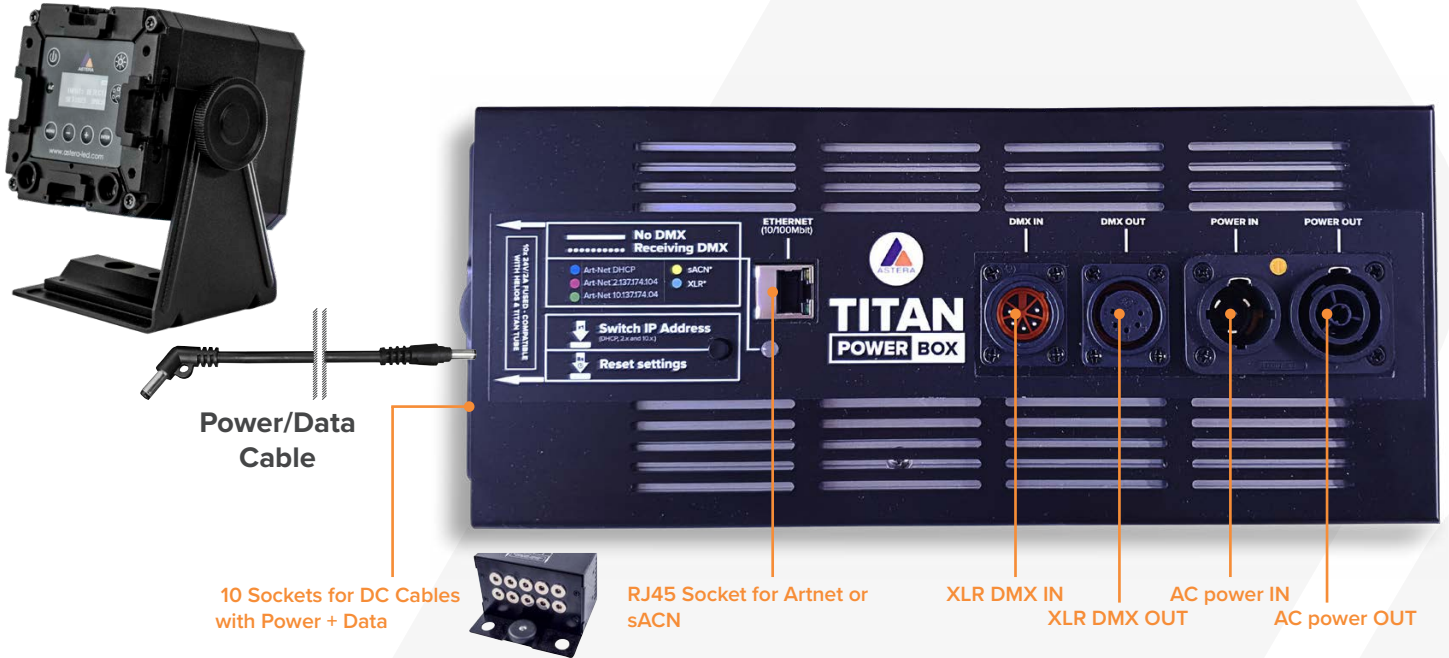


# CHARGING & CONNECTING

With PowerBox 2x86 (PWB-2-86)



With Titan PowerBox (FP1-PWB)



# TYPICAL SPECTRAS

