

arrow^x

16
CB PLUS™

Fluid Head

OPERATOR'S MANUAL

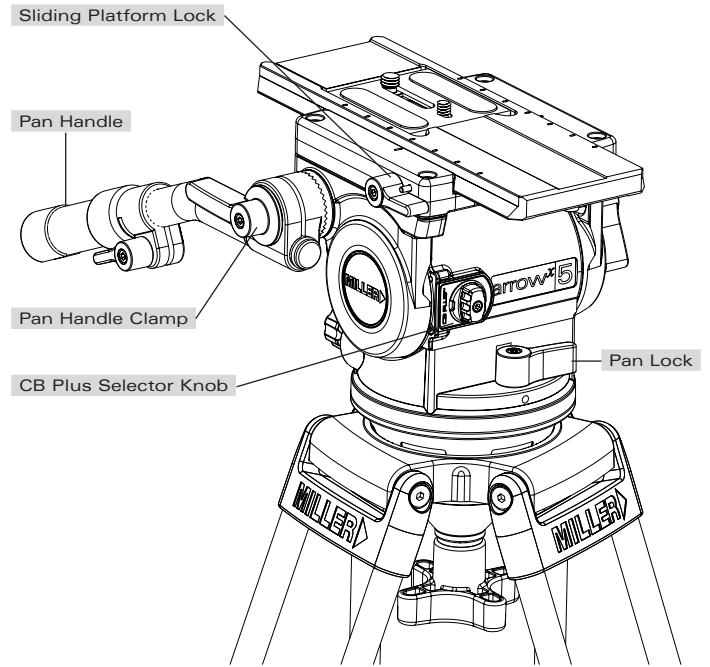
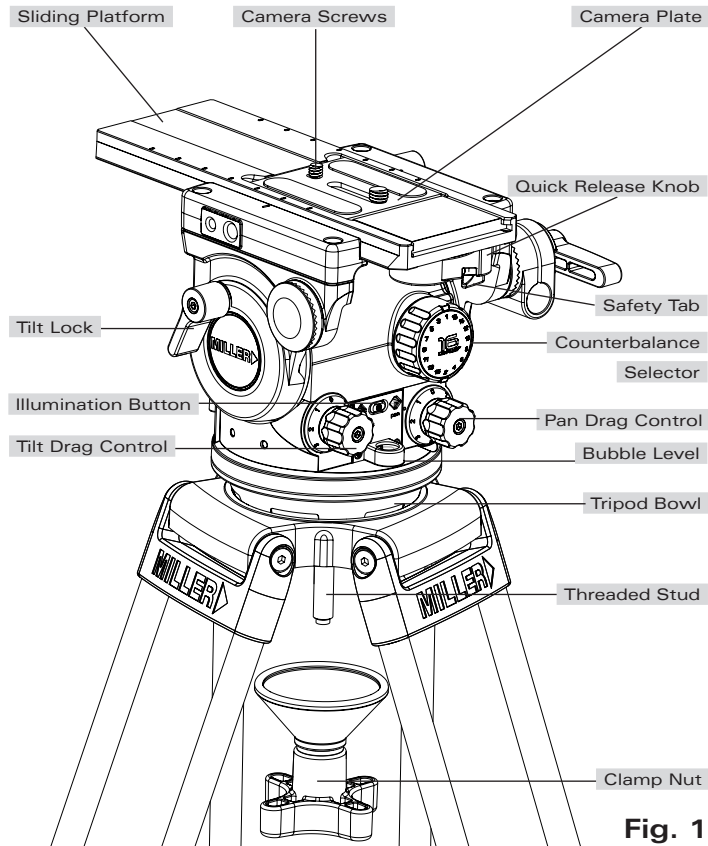
1072 Arrow^x 3 Fluid Head

1074 Arrow^x 5 Fluid Head

1076 Arrow^x 7 Fluid Head



Features and Controls



Introduction

Thank you for purchasing the Arrow^x Fluid Head. The Arrow^x Fluid Head has been designed to suit a wide range of cameras, lenses and accessories as demanded by ENG, EFP, Studio and Field OB setups.

The robust design and construction of the Arrow^x Fluid Head offers maximum stability, accuracy and durability and includes precision ball bearing mounted Fluid Drag Plate system in the Pan and Tilt assembly to deliver true fluid drag performance over the entire temperature and payload range.

The Fluid Drag and the Counterbalance system were designed to provide excellent control and repeatability and offer progressive equal increments of drag and torque.

The Arrow^x Fluid Head also offers Illuminated single control location for operating Pan-tilt, Counterbalance and viewing Bubble level.

The Arrow^x Fluid Head will give best performance when used on a wide range of Miller tripods, including SOLO ENG (#1505), Sprinter II (#1589, #1580, #1576) and HD (#931) tripod. This will ensure maximum system stability to suit any professional set-up. The Arrow^x Fluid Head will suit most industry standard 100 mm tripods as well, please refer to manufactures' manual for mounting details.

Safety Instructions

Attaching / removing the camera

Please use this manual to familiarise yourself with the operation of the Arrow^x Fluid Head and observe these instructions to prevent any damage to your equipment. Ensure that all equipment is operating correctly and free from defects and damage, also please ensure that the tripod is steady, secure and that the bowl is approximately horizontal when attaching the camera. The operator is responsible for the safe operation of this piece of equipment.

- Do not exceed the maximum payload capacity of the Fluid Head.
- Do not leave the camera unattended on the Fluid Head.
- Do not release the SLIDING PLATFORM LOCK whilst the camera is at an angle.
- Do not adjust the tripod whilst the camera is attached to the Fluid Head.
- Ensure PAN HANDLE CLAMP and CLAMP NUT is securely tightened.
- Apply TILT LOCK when adding/removing equipment from the camera or when attaching/removing the camera from the Fluid Head.
- Hold camera securely whilst changing Counterbalance, Pan Drag or Tilt Drag settings.
- Hold the camera securely whilst releasing the QUICK RELEASE KNOB.
- Hold camera securely whilst adjusting the CLAMP NUT to level the Fluid Head.

Operating Instructions

2. Camera Set-up

- 2.1 Remove the CAMERA PLATE by pulling down the SAFETY TAB while rotating the QUICK RELEASE KNOB to the left. The CAMERA PLATE should pop out.
- 2.2 Refer to the Camera's owners manual for correct method of attachment to the CAMERA PLATE. Inspect the CAMERA PLATE and remove the 1/4" and 3/8" screws (for Mini-DV mount) or the 1/4" + PIN ADAPTOR CARRIAGE (ENG mount) as required.
- 2.3 Attach camera accessories, battery and the QUICK RELEASE TRIPOD ADAPTER (if required) to the camera. It is recommended to estimate the camera's Centre of Gravity (C of G) for the purpose of correctly positioning the camera on the CAMERA PLATE. The camera's C of G can be estimated by placing the camera on to a round rod and then shifting it backwards or forwards until a balance point - C of G - is achieved. It is recommended to identify this point on the camera as it will be useful in step 2.6.
- 2.4 Attach the CAMERA PLATE to the camera or the QUICK RELEASE TRIPOD ADAPTOR such that the C of G mark on the camera is approximately 10 - 20 mm behind the front edge of the CAMERA PLATE then securely tighten the screws.
- 2.5 Align the CAMERA PLATE with the SLIDING PLATFORM (Fig. 1) and slide it in until the safety mechanism is engaged.
- 2.6 Release the SLIDING PLATFORM LOCK and slide the SLIDING PLATFORM such that the camera's C of G is directly above the centre axis of the Fluid Head (fig. 5) and tighten the SLIDING PLATFORM LOCK (fig. 5). If this can not be achieved then reposition the CAMERA PLATE on the Camera or the QUICK RELEASE TRIPOD ADAPTOR - step 2.4. This will ensure that the system has maximum stability.

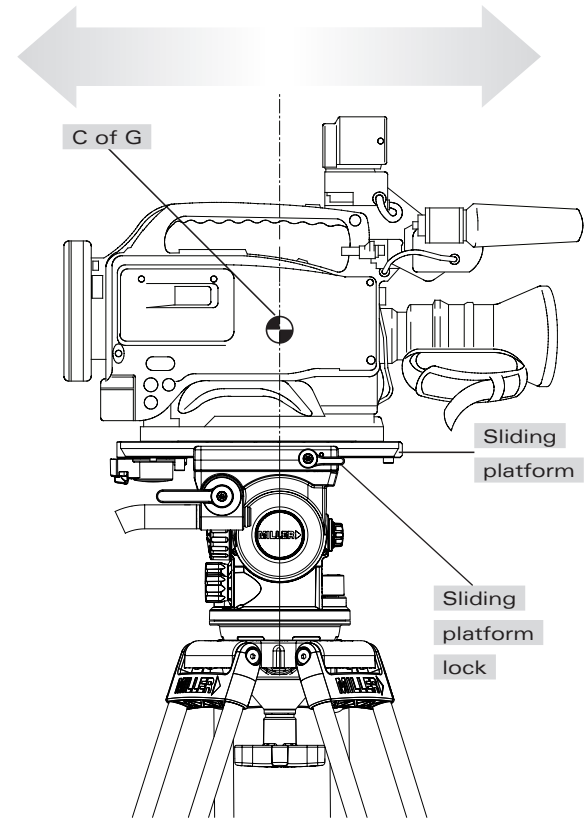


Fig. 3

Operating Instructions

3. Counterbalance Control

The counterbalance system was designed to neutralise the effect of the camera weight when it is tilted. The Arrow^{XL} Fluid Head offers a 16 position counterbalance system which is operated with the Counterbalance Selector Knob (Fig. 1) and the CB Plus Selector Knob (Fig. 2).

The system was designed for an efficient and ergonomic control of the counterbalance mechanism which delivers a wide payload range capacity.

The Counterbalance Selector Knob and the CB PLUS Selector Knob must be operated when the SLIDING PLATFORM is in a horizontal position.

After changing the Counterbalance setting it may be necessary to tilt the camera back and forth to ensure that the CB spring has engaged. The camera must be held securely while changing the Counterbalance setting.

- 3.1 For safety select Counterbalance position 16, being the Orange coloured marker on the Counterbalance Selector Knob pointing to position 16 and the CB Plus Selector Knob displaying an orange marker (Fig. 4).
- 3.2 Hold the camera and release the TILT LOCK, then gently tilt the camera from the horizontal position forward then backward and observe its response. If the Camera 'Springs Back' to the horizontal position then a lower Counterbalance setting is required, rotate the Counterbalance Selector Knob clockwise to a lower position and recheck, select lower setting again if necessary.
- 3.3 Finer adjustments can be made by toggling the CB Plus Selector knob.
- 3.4 Correct counterbalance setting has been achieved when minimum effort is required to move the camera over the entire tilt range.

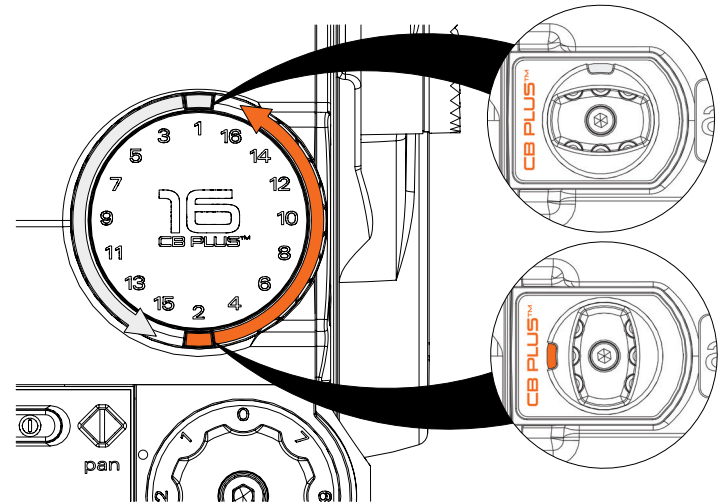


Fig. 4

Operating Instructions

4. Pan-tilt Drag Control.

The Arrow^x 5 & 7 Fluid Head offers 7 selectable positions of fluid drag + zero setting in the Pan and Tilt. The settings are equally stepped from light drag in position 1 up to heavy drag in position 7, the drag plates are completely disengaged in position zero. The Arrow^x 3 offers 5 selectable positions of fluid drag + zero setting.

- Do not Pan or Tilt the Fluid Head whilst adjusting PAN or TILT DRAG CONTROL or whilst the PAN & TIL DRAG CONTROL is between settings.
- The drag setting can be changed at any tilt or pan angle.

5. Pan-tilt Lock Control.

The Arrow^x Fluid Head offers high capacity caliper disc brake system to hold the Fluid Head in a fixed pan and/or tilt position. Camera position will not change when applying or releasing the Pan-tilt locks.

- Do not pan or tilt the Fluid Head whilst the PAN or the TILT LOCK is partially applied.

6. Illumination.

The Arrow^x Fluid Head offers illumination of the PAN & TILT DRAG CONTROL settings, BUBBLE LEVEL and PAN & TILT INDICATOR when the low ambient light conditions exist. Illumination can be achieved by pressing the ILLUMINATION BUTTON once. The light will switch off after 10 seconds.

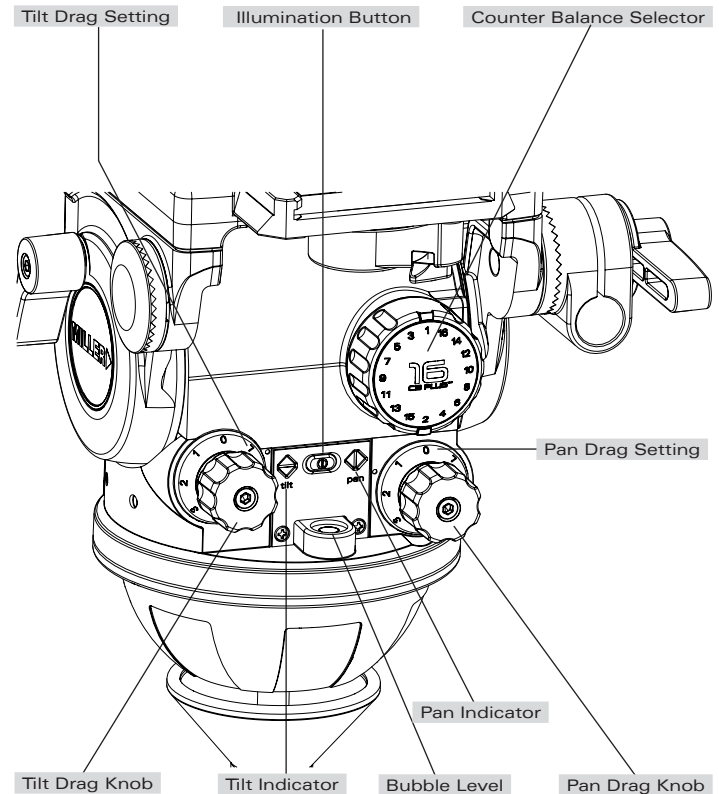


Fig. 5

Maintenance

The Arrow^x Fluid Head offers high quality surface coatings, dust and moisture seals. Miller recommends keeping the Fluid Head clean at all times by using soft brushes and lint free cloth to wipe over the surfaces.

- Do not immerse the Fluid Head in any liquid.
- Do not use stiff brushes, abrasives, harsh detergents and solvents.

Battery Replacement

The Arrow^x Fluid Head uses a single GP23A type - 12 Volt battery for Illumination. Miller recommends the following batteries to provide long life performance - Duracell MN21/23, Eveready A23 or Vinnic L1028.

- Using a Phillips Head #1 screw driver, remove the two RETAINING SCREWS, BATTERY DOOR and the old battery.
- Insert the new battery as shown in figure 6.
- Insert the tab on the BATTERY DOOR into the body first then align the two screw holes and tighten the screws snugly.

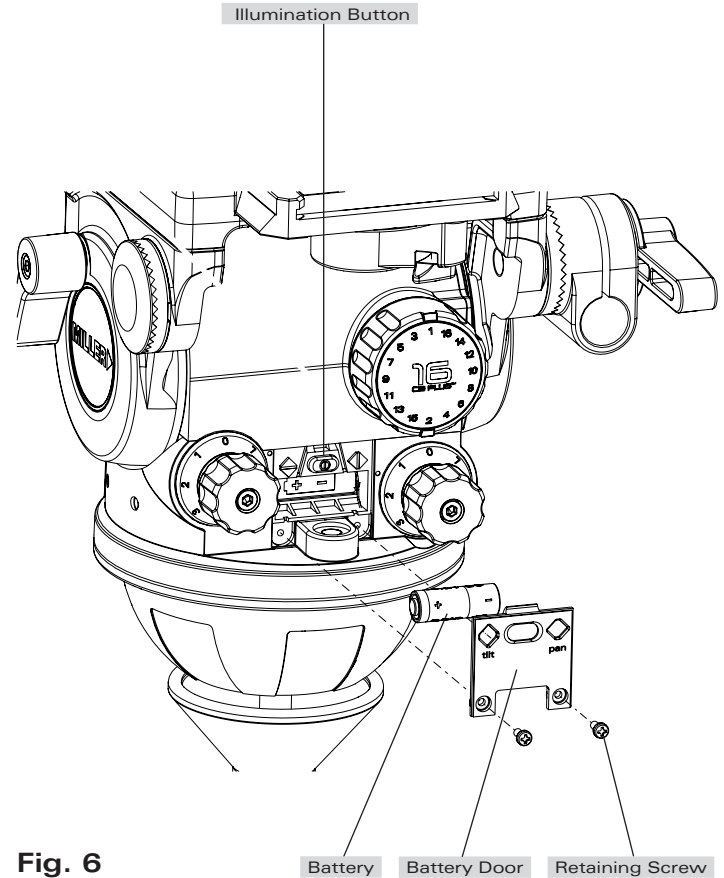


Fig. 6

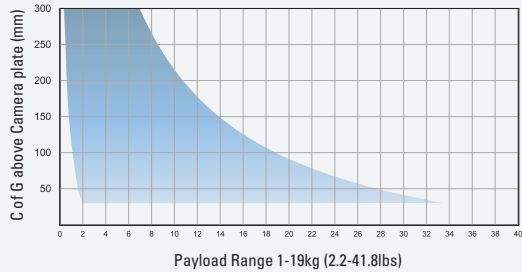
Specifications

	1072 Arrow ^x 3	1074 Arrow ^x 5	1076 Arrow ^x 7
Weight	3.1kg (6.8lbs)	3.4kg (7.4lbs)	3.4kg (7.4lbs)
Payload range	1-19kg (2.2-41.8lbs)	2-21kg (4.4-46.2lbs)	6-25kg (13.2-55.1lbs)
Pan-tilt drag	5 selectable fluid drag positions + 0	7 selectable fluid drag positions + 0	7 selectable fluid drag positions + 0
Pan range	360°	360°	360°
Pan-tilt locks	Positive lock calliper brake system	Positive lock calliper brake system	Positive lock calliper brake system
Tilt angle	+90°/-75°	+90°/-75°	+90°/-75°
Counterbalance	16 selectable positions	16 selectable positions	16 selectable positions
Camera platform	Quick release camera plate with 1/4" and 3/8" screws	Quick release camera plate with 1/4" and 3/8" screws	Quick release camera plate with 1/4" and 3/8" screws
Sliding range	120mm (4.7")	120mm (4.7")	120mm (4.7")
Height above bowl	162mm (6.4")	162mm (6.4")	162mm (6.4")
Mounting base	100mm (3.9") ball levelling with 3 x M5 holes for flat base mounting	100mm (3.9") ball levelling with 3 x M5 holes for flat base mounting	100mm (3.9") ball levelling with 3 x M5 holes for flat base mounting
Illuminated controls	Bubble level, pan-tilt drag controls	Bubble level, pan-tilt drag controls	Bubble level, pan-tilt drag controls
Temperature range	-40° to +65°C (-40° to +149°F)	-40° to +65°C (-40° to +149°F)	-40° to +65°C (-40° to +149°F)
Pan handle	Telescopic 390 to 590mm (15.4 to 23.2")	Telescopic 390 to 590mm (15.4 to 23.2")	Telescopic 390 to 590mm (15.4 to 23.2")

Specifications

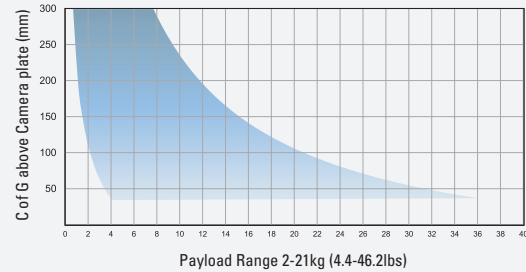
1072 Arrow^x 3 Fluid Head

Counterbalance Performance



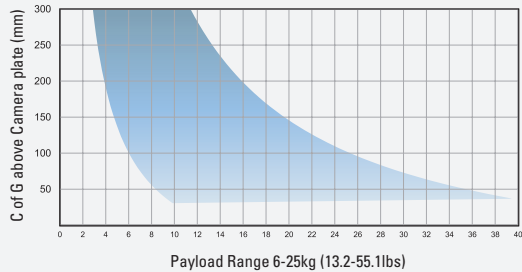
1074 Arrow^x 5 Fluid Head

Counterbalance Performance



1076 Arrow^x 7 Fluid Head

Counterbalance Performance



Specifications

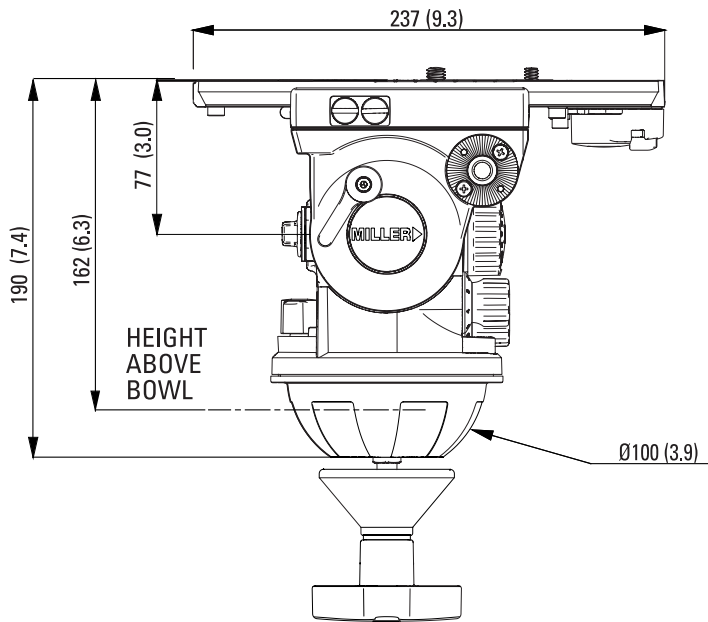


Fig. 7

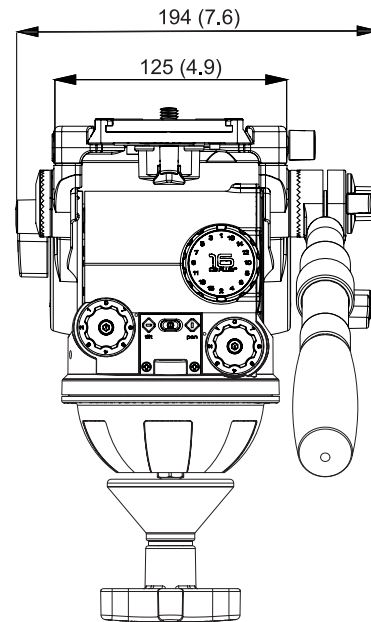


Fig. 8

Storage

The Arrow^x Fluid Head can be stored for extended periods; Miller recommends storage in a Miller Soft Case and the following:

- Remove battery.
- Clean the external surfaces.
- Keep in a dry place away from direct sunlight.
- Loosen off PAN & TILT LOCK.

Spare Parts and Accessories

ITEM	ITEM NO.
Battery	P3798
Offset camera plate with 2 x 3/8" screws	858
Camera plate (Euro) with 1/4" & 3/8" screws	860
Camera screw 3/8"	P0037
Camera screw 1/4"	P0036
Additional pan handle - telescopic with clamp	696
Accessory mounting block	1260
Mitchell base adaptor with clamp	1225

Warranty

Please refer to warranty card for complete details.

Service, Sales and Support

Miller Authorised Service Agents must carry out all service and repair work. Failure to observe this requirement may void warranty. It is advisable to notify Miller or a Miller Authorised Service Agent if a change of performance is observed as a result of dropping or rough usage. For information regarding sales and service of Miller products or for your nearest Miller representative please contact us via our website or at the following:

MILLER CAMERA SUPPORT EQUIPMENT

30 Hotham Parade
Artarmon, Sydney, NSW 2064 Australia
P +61 2 9439 6377
F +61 2 9438 2819
sales@miller.com.au

MILLER Camera Support (LLC) USA

216 Little Falls Road (Unit 2),
Cedar Grove, New Jersey 07009 USA
P +1 (973) 857 8300
F +1 (973) 857 8188
sales@millertripods.us

MILLER FLUID HEADS (EUROPE) LTD.

12A, Shepperton Business Park
Govett Avenue, Shepperton
Middlesex, TW17 8BA
United Kingdom
P +44 (0) 1932 222 888
F +44 (0) 1932 222 211
sales@millertripods-europe.com

millertripods.com

MILLER 

millertripods.com

MILLER CAMERA SUPPORT EQUIPMENT

30 Hotham Parade
Artarmon, Sydney
NSW, 2064, Australia

Tel: +61 2 9439 6377
Fax: +61 2 9438 2819

Email: sales@miller.com.au



Quality
ISO 9001

 SAI GLOBAL

D10442-2