

1. GOLD MOUNT & V-MOUNT ALTERNATIVES

POWER MODULE GOLD MOUNT / V-MOUNT

USER'S MANUAL

Before operating your edelkrone,
please watch the user's manual video from the link below

<http://edel.kr/pwm>

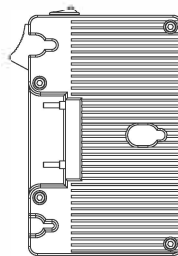


edelkrone
filmmaking solutions

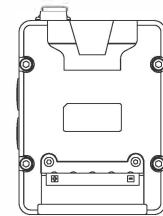
TABLE OF CONTENTS

1. GOLD MOUNT & V-MOUNT ALTERNATIVES
2. WHAT'S IN THE BOX & THE BASICS
3. ATTACHING COLD SHOE ADAPTER TO TRIPOD
4. ATTACHING GOLD MOUNT BATTERY TO POWER MODULE GOLD MOUNT
5. ATTACHING V-MOUNT BATTERY TO POWER MODULE V-MOUNT
6. REPLACEMENT OF THE COLD SHOE ADAPTER'S ANTI-SLIP STRAP
7. HOOK & LOOP CABLE TIES

There are two versions of the Power Module.
The following instructions are the same for both versions.

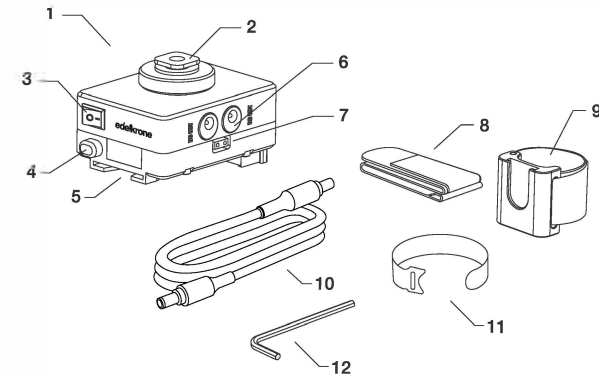


Power Module
Gold Mount



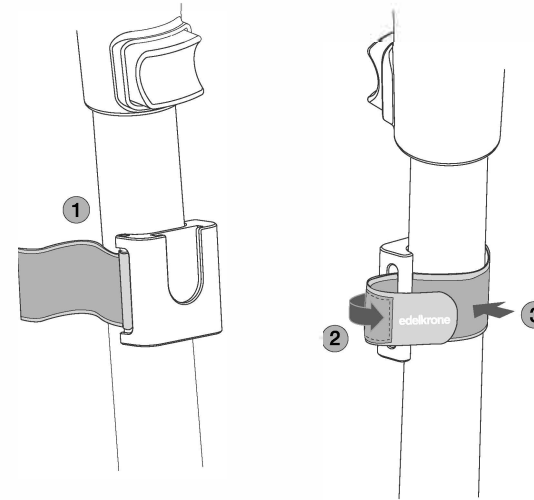
Power Module
V-Mount

2. WHAT'S IN THE BOX & THE BASICS



- | | |
|---|--------------------------------------|
| 1. Power Module V-Mount (or Gold Mount) | 7. D-Tap Port |
| 2. Cold Shoe | 8. Spare Anti-Slip Strap |
| 3. On/Off Button | 9. Cold Shoe Adapter |
| 4. Battery Release Button | 10. DC to DC Cables (1x1.5m, 4x1.3m) |
| 5. V-Mount Port | 11. Hook & Loop Cable Tie (9 pcs.) |
| 6. DC Out Port (4) | 12. 2 mm Allen Key |

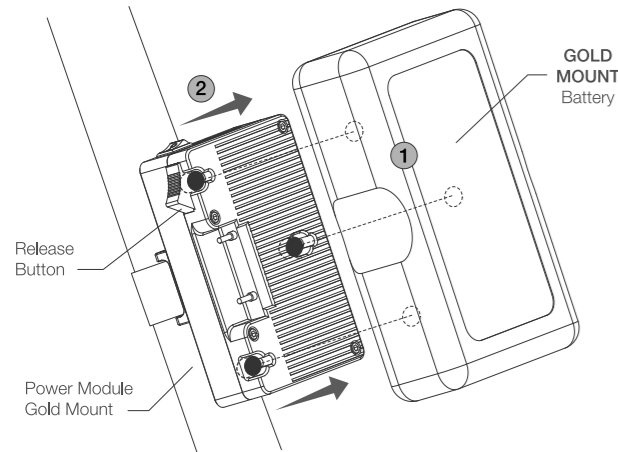
3. ATTACHING COLD SHOE ADAPTER TO TRIPOD



1. Place the cold shoe adapter on your tripod.
2. Thread the strap through the slot and stretch it back.
3. Secure it on the hook & loop after stretching it sufficiently.

A detailed video explaining how to attach Cold Shoe Adapter to tripod can be found at: <http://edel.kr/pwm>

4. ATTACHING GOLD MOUNT BATTERY TO POWER MODULE GOLD MOUNT

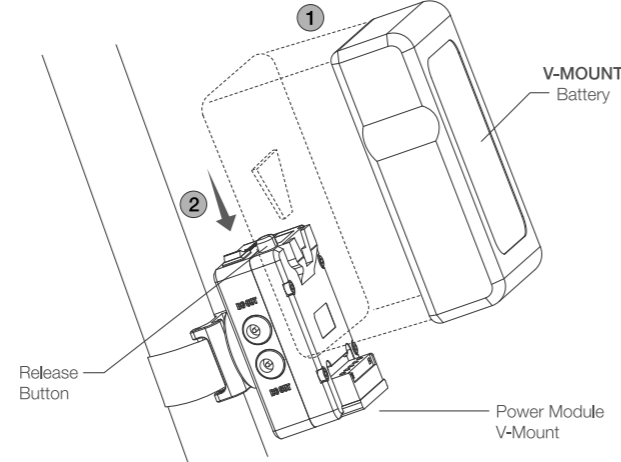


1. Align the battery mounts with the battery bracket.
2. Slide the battery as shown above to place batteries on Power Module.
3. To release battery, push the release button and slide it backwards.

! Power Module Gold Mount does not charge the battery.

▶ A detailed video explaining how to attach battery can be found at: <http://edel.kr/pwm>

5. ATTACHING V-MOUNT BATTERY TO POWER MODULE V-MOUNT

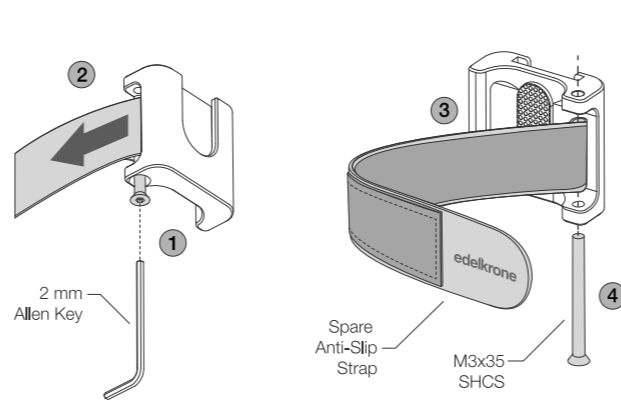


1. Align the battery mounts with the battery bracket.
2. Slide the battery as shown above to place batteries on Power Module.
3. To release battery, push the release button and slide it backwards.

! Power Module V-Mount does not charge the battery.

▶ A detailed video explaining how to attach battery can be found at: <http://edel.kr/pwm>

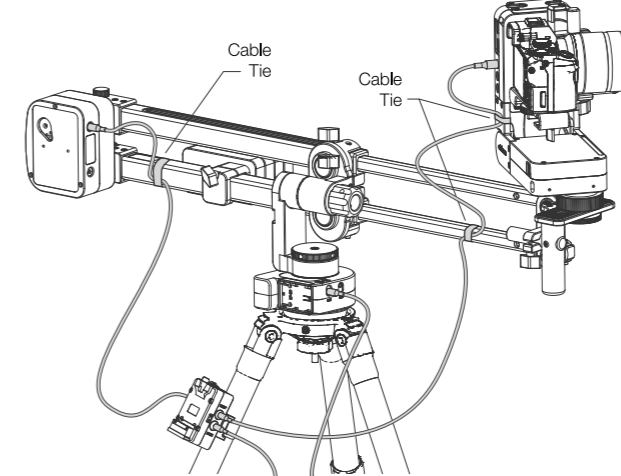
6. REPLACEMENT OF THE COLD SHOE ADAPTER'S ANTI-SLIP STRAP



1. Unscrew the screw with 2 mm allen key.
2. Remove the anti-slip strap.
3. Align the new anti-slip strap's hole with the holes on adapter.
4. Screw the M3x35 SHCS on adapter.

▶ A detailed video explaining how to replace anti-slip strap can be found at: <http://edel.kr/pwm>

7. HOOK & LOOP CABLE TIES



1. You can use cable ties that comes with the product box to fasten DC to DC cables on your setup.

! Make sure you swing enough cables for your assembly to move properly.

▶ A detailed video explaining how to use hook and loop cable ties can be found at: <http://edel.kr/pwm>

DISPOSAL OF THE PRODUCT & WARNINGS



Should the product become damaged beyond repair, or if you wish to dispose of it, it must be disposed separately from the municipal waste stream via designated collection facilities appointed by the government or the local authorities. Observe the regulations of your area and country that relate to the disposal of electronic products.

- * Keep your Power Unit away from all sorts of liquids.
- * Do not attempt to disassemble or modify any internal parts of your Power Unit. If the device appears to be malfunctioning, discontinue use immediately and contact support for qualified service.
- * Never force a different type of connector into a port.
- * Never use or store your Power Unit in areas subject to extreme temperatures, or high levels of vibration.
- * Environmental factors may affect your Power Unit's performance. Keep your product away from environmental hazards such as dust or heavy resonance. Do not use chemical materials to clean your product.
- * Avoid dropping or causing physical damage to your Power Unit.
- * Do not place heavy objects on top of your Power Unit.
- **edelkrone cannot be held responsible for damage caused by improper use or modification of the product.
- * All four DC outputs are standard 2.1mm inner diameter x 5.5mm outer diameter, center positive polarity jacks. These plugs are directly connected to the battery terminals and provide the same voltage as the V-Mount or Gold Mount which is ideally between 12V and 16.8V.
- * Power Module (Gold Mount / V-Mount) does not charge batteries.